



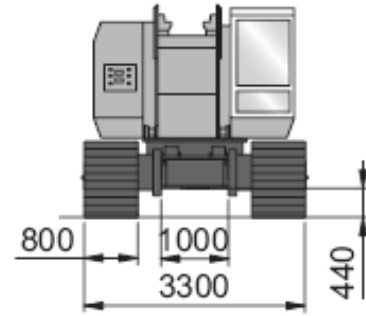
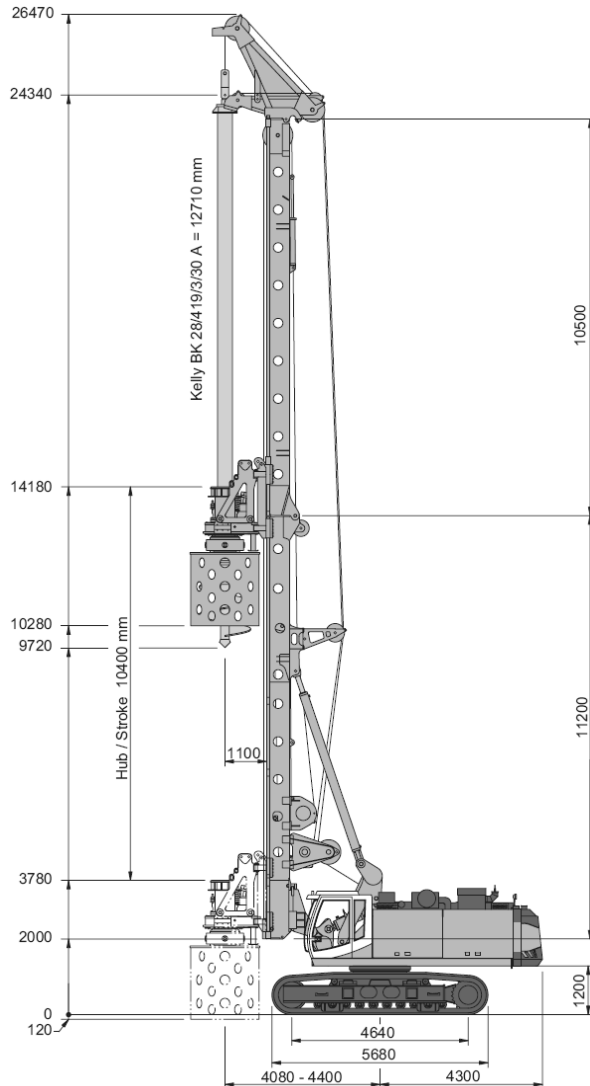
Applications:

Bored Piling

CFA Piling

Displacement Piling





Machine Type:	Bauer BG28 – BS80B
Serial No.:	BS80.6.619
Unit No.:	867 / PR867
Manufactured Date:	2005
Operational Weight:	99.0t (with BK25/394/4/60 10.6t)
Base Machine Weight:	60.0t
Counter Weight/s:	10.5t + 5.3t = 15.8t
Mast Weight/Height:	Upper – 3.6y / Lower 12.5t / 26.5m
Drive Head Weight:	5.1t
Kelly Bar Weight:	BK28/419/4/70 – 13.8kg (largest possible)
Drill Tools:	3.0t – 6.0t
Track Pad Width:	800mm
Crawler Width:	3300mm Retracted – 4500mm Extended
Crowd Winch:	531 kN / 24mm \varnothing / Compacted out strands, Rotation resistant
Main Winch Max Line Pull:	250 kN / 32mm \varnothing
Aux. Winch Max Line Pull:	100 kN / 20mm \varnothing
Mast Inclination:	15° / 5° / Drilling 2°
Back/Fwd/Lateral	Auxiliary 5°
Under rake:	Up to 18°