

P&H550 + Kobe 36m Leader & H8H Hammer

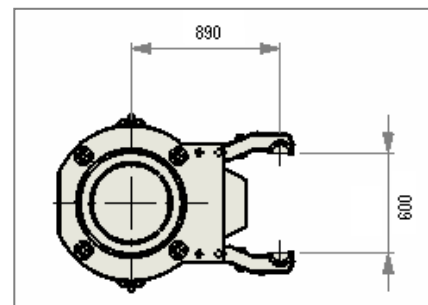
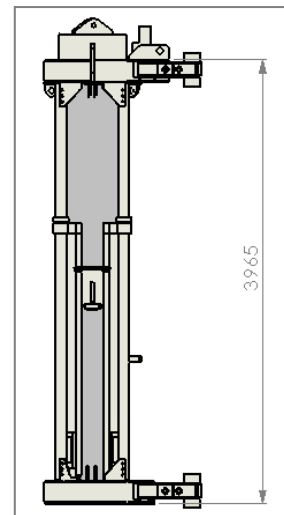
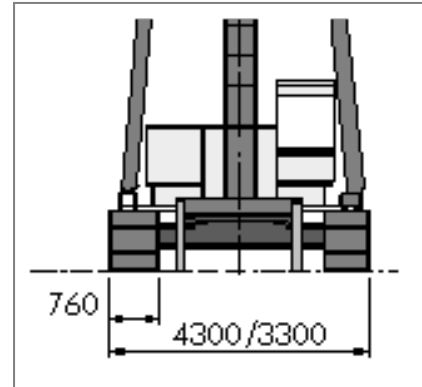
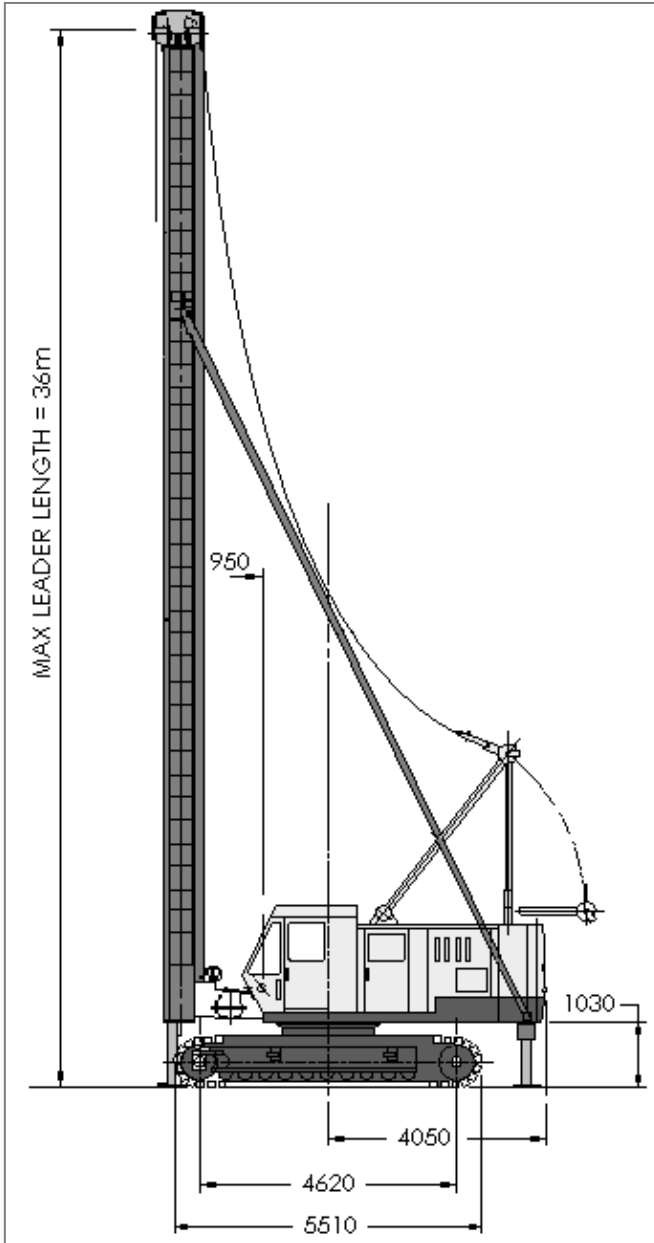


ADDITIONAL INFORMATION:

Driven

---

## P&H550 + Kobe 36m Leader & H8H Hammer



|                      |  |
|----------------------|--|
| Machine Type:        | P&H550 + Kobe 36m<br>Leader + H8H Hammer |
| Serial No.:          | FM0325 / P0019840                        |
| Unit No.:            | CC133                                    |
| Manufactured Date:   | 1982                                     |
| Operational Weight:  | 86.2t                                    |
| Base Machine Weight: | 42.0t (incl counter weights)             |
| Counter Weight/s:    | 7.0t + 7.0t = 14.0t                      |

|                                |                                       |
|--------------------------------|---------------------------------------|
| Power Pack Weight:             | 4.0t                                  |
| Leader Weight:                 | Kobe 36m – 16.0t                      |
| Hammer Weight:                 | Uddcomb H8H – 10.2t                   |
| Track Pad Width:               | 760mm                                 |
| Crawler Width:                 | 3300mm Retracted –<br>4300mm Extended |
| Main Winch Max Line Pull:      | 6.0t                                  |
| Auxiliary Winch Max Line Pull: | 6.0t                                  |