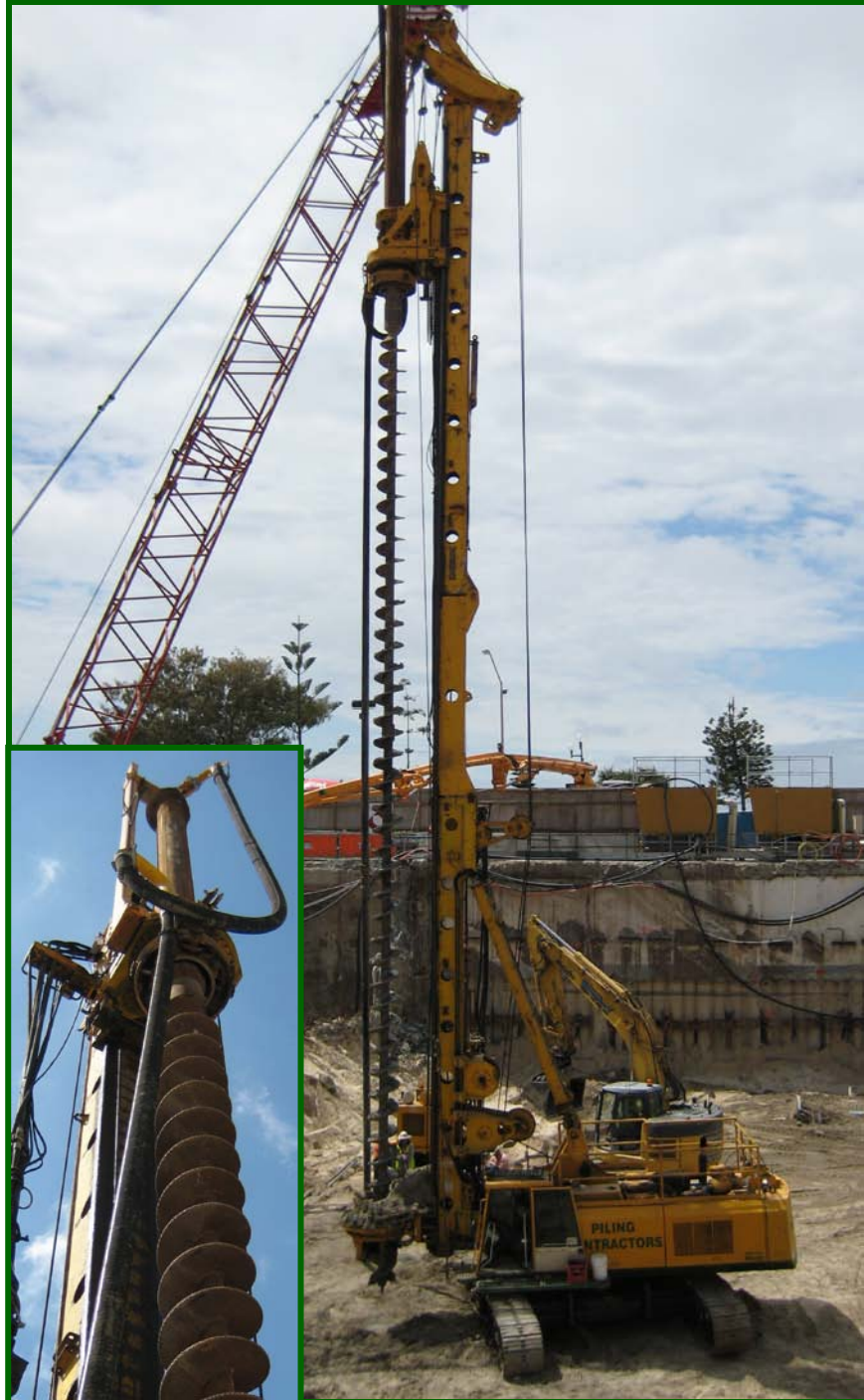
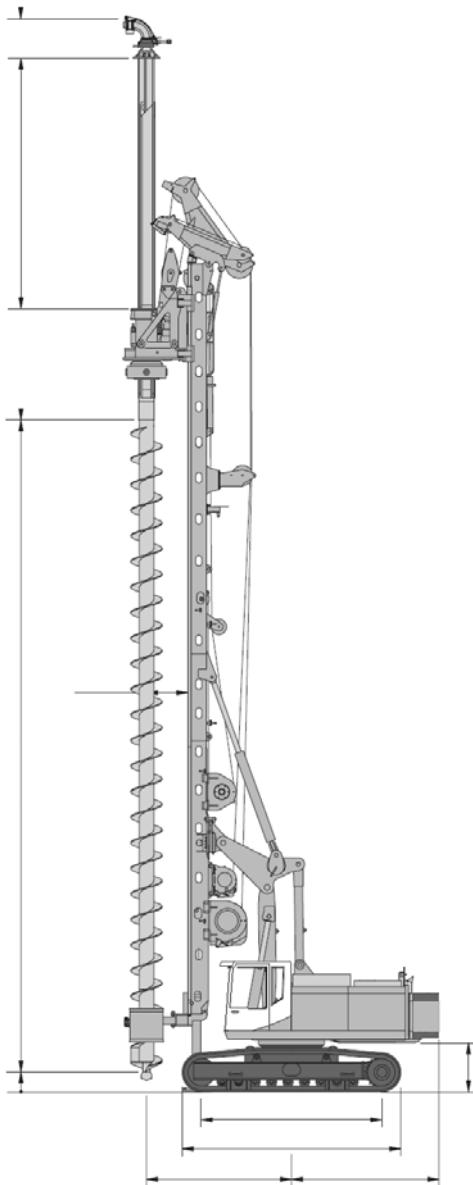
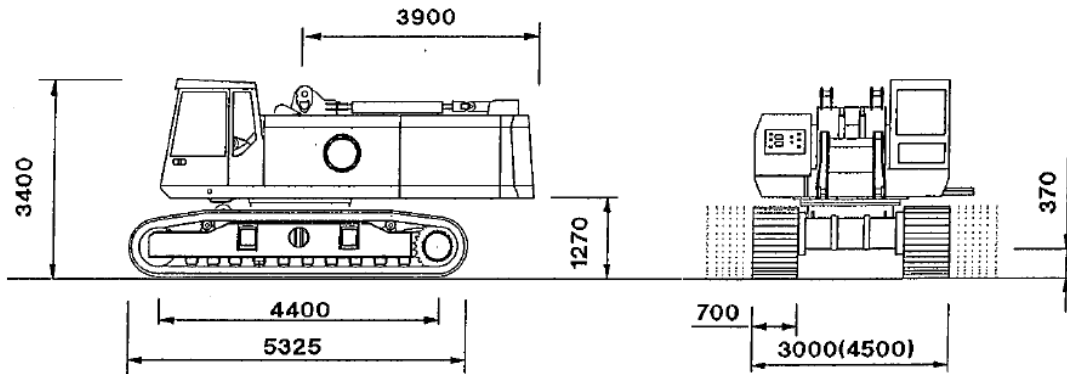


Bauer BG22 – CFA with Snorkel



ADDITIONAL INFORMATION:

Bored Piling



Machine Type:	Bauer BG22
Serial No.:	BS70.6.321
Unit No.:	034 / PR490
Manufactured Date:	1995
Operational Weight:	80t
Base Machine Weight:	33.0t
Counter Weight/s:	13.0t
Mast Weight:	5.2t – (Optional -4m extra mast)
Snorkel:	3.5t
Auger Weight:	1.2t per section/12.0t (optional-4m extra auger)
Drive Head Weight:	5.4t
Track Pad Width:	700mm
Crawler Width:	3000mm retracted 4500mm extended
Crowd Winch:	24mmØ, 531KN compacted out strands, Rotation-resistant