

BAUER RG16T – CFA



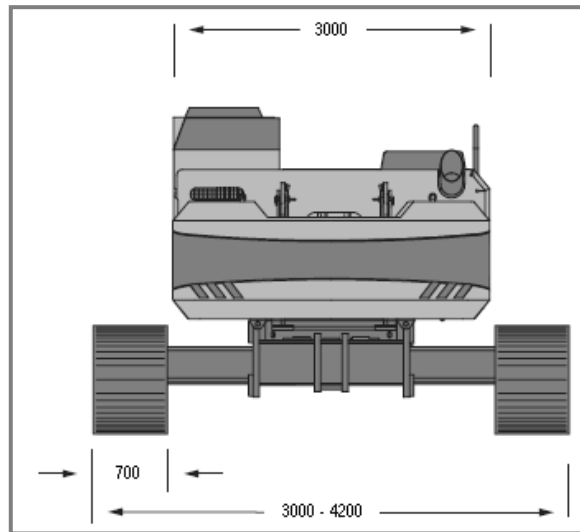
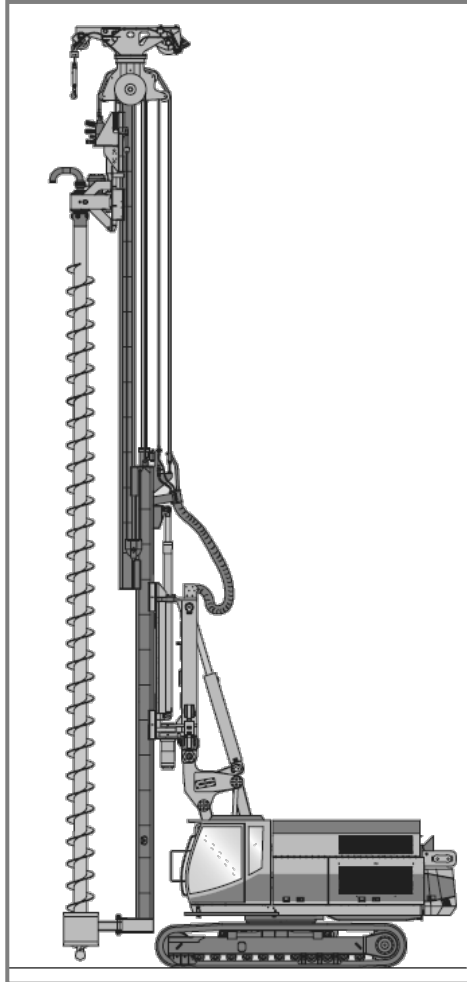
ADDITIONAL INFORMATION:

CFA

Displacement

Bored Piling

BAUER RG16T – CFA



Equipment Type:	Bauer RG16T – BS60-R
Serial No.:	60.6.218
Unit No.:	048 / PR925
Manufactured Date:	2005
Operational Weight:	60.0t (incl MR100V-02 and MRZ 105)
Base Machine Weight:	46.0t (incl Auxiliary Winch)
Counter Weight/s:	6.0t (Removable)
Telescopic Leader Length / Weight:	19280/7.0 – 8.0t
Cathead Weight:	2.0t
Vibrator Weight:	MR 100V-02 – 4.9t

Pile Weight:	Maximum – 3.0t
Drive Head Weight:	FOW Rotary Drive – 2.95t
Track Pad Width:	700mm
Crawler Width:	3000mm retracted 4200mm extended
Sheet Length:	16.0
Crowd Winch:	20mm/16mmØ, 331.40/212.10kN, Compacted outer strands / Pre-stressed, non rotating
Main Winch Max Line Pull:	
Auxiliary Winch Max Line Pull:	