

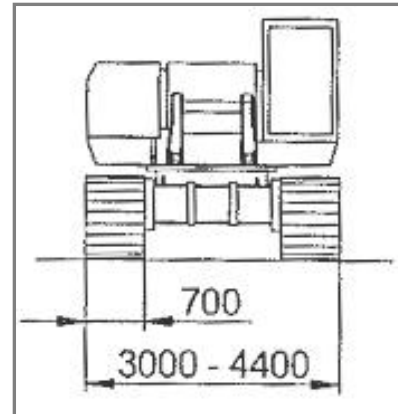
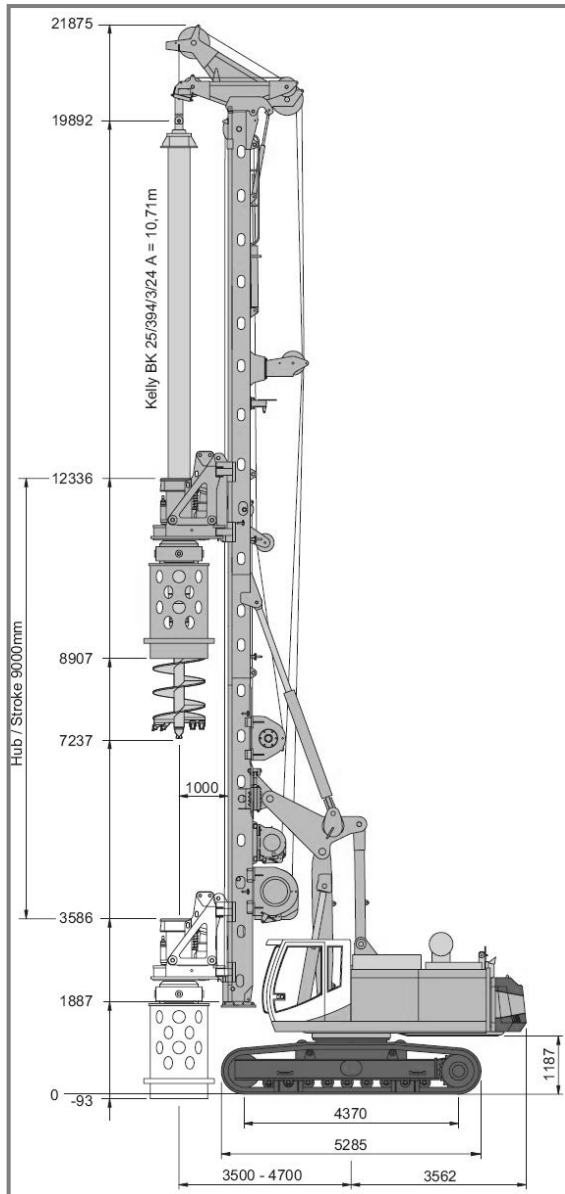
BAUER BG24H – KELLY



ADDITIONAL INFORMATION:

Driven Piling

BAUER BG24H – KELLY



Equipment Type:	Bauer BG24H
Serial No.:	BS70C.6.804
Unit No.:	704 / PR704
Manufactured Date:	2004
Operational Weight:	77.5t (incl BK25/394/3/24 – 4.7t)
Base Machine Weight:	56.2t
Counter Weight/s:	8.0t + 2.0t + 2.0t = 12.0t
Mast Weight:	5.5t
Mast Inclination:	15 / 5 / +8 Degrees
Back /Fwd/ Lateral	

Kelly Bar Weight:	BK25/394/4/56 – 10.0t (largest poss)
Snorkel Weight:	3.0t
Track Pad Width:	700mm
Crawler Width:	3000mm Retracted – 4400mm Extended
Crowd Winch:	24mmØ, 501.0 kN, External strands, post-sealed
Overall Height:	21.9
Ground Pressures:	473 KN