

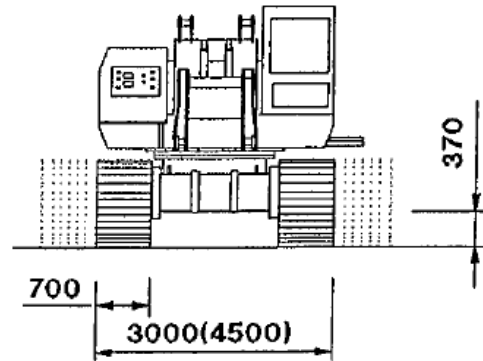
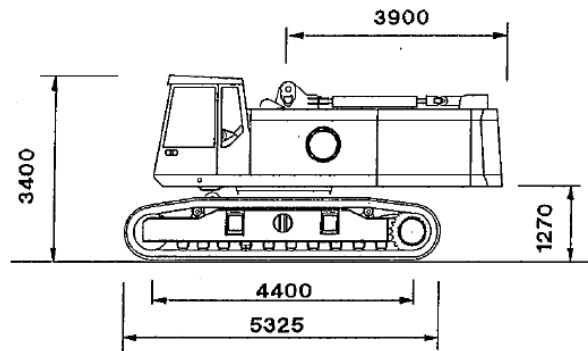
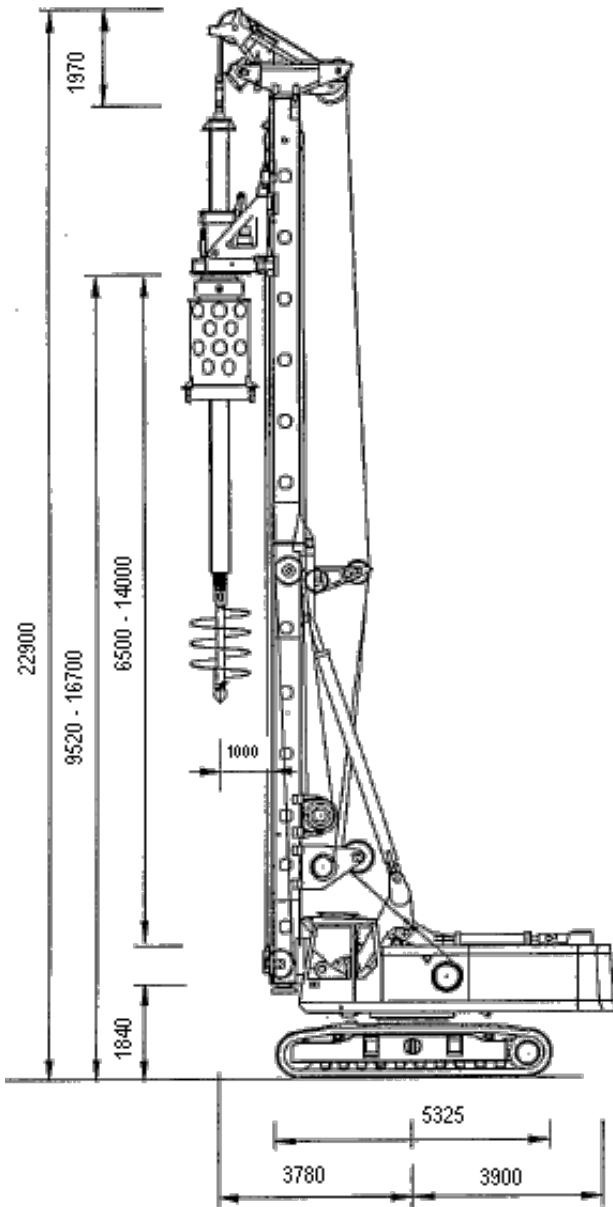
Bauer BG22 - Kelly



ADDITIONAL INFORMATION:

Can be used for CFA, Displacement or Bored Piling

---



Machine Type:	Bauer BG22
Serial No.:	BS70.6.321
Unit No.:	034 / PR490
Manufactured Date:	1995
Operational Weight:	80t
Base Machine Weight:	33.0t
Counter Weight/s:	13.0t
Mast Weight:	5.2t

Drilling Tools:	1.0t – 2.0t empty to 3.0t – 4.0t full
Kelly Bar Length/weight:	4/60–10.1t (largest poss)
Drive Head Weight:	5.4t
Track Pad Width:	700mm
Crawler Width:	3000mm Retracted - 4500mm Extended
Crowd Winch	24mmØ, 531Kn, Compacted out strands, Rotation-resistant