

## Track Mounted Drill – MAIT HR130

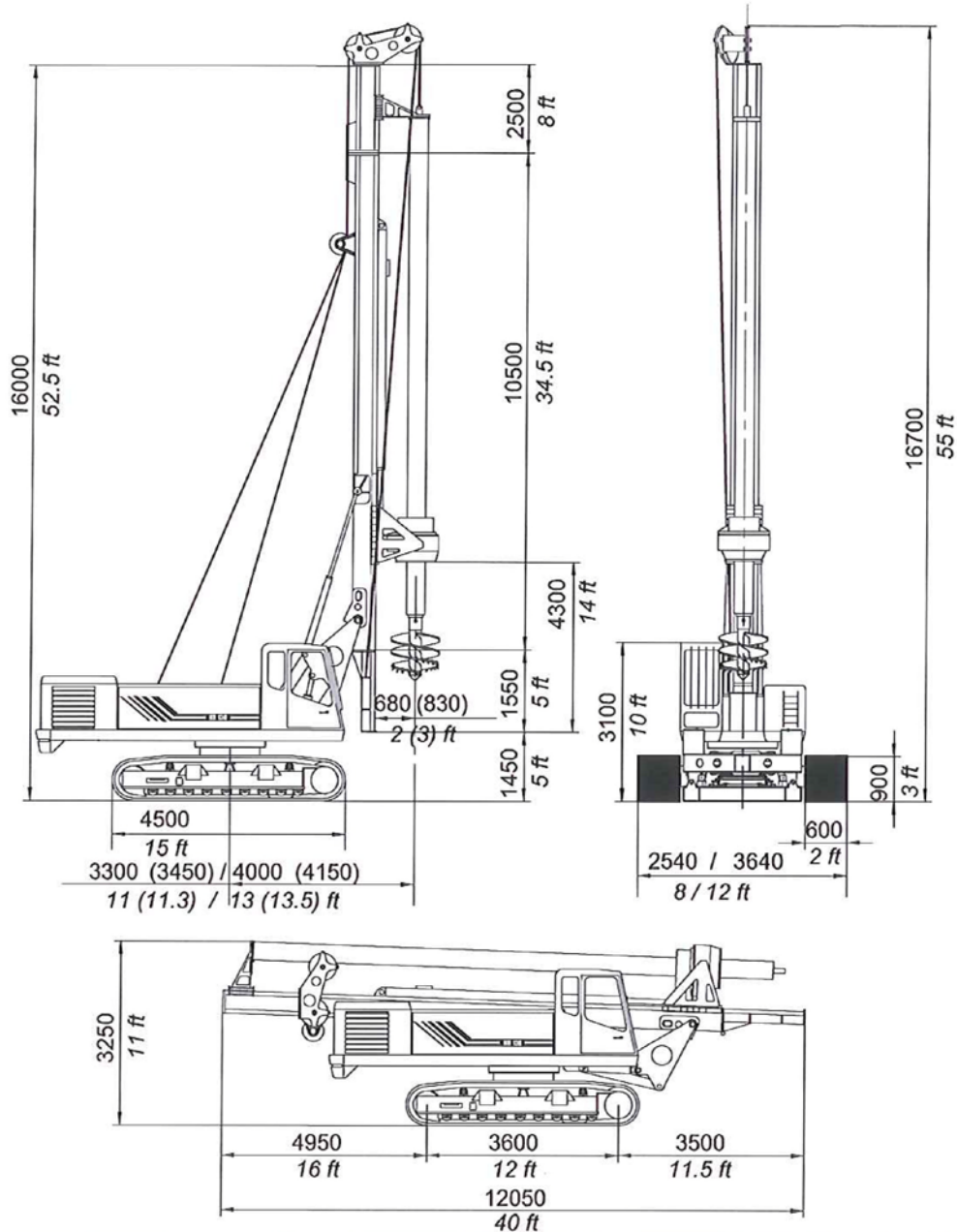


ADDITIONAL INFORMATION:

Bored

CFA

## Track Mounted Drill – MAIT HR130



Machine Type:	MAIT HR130
Serial No.:	TBA
Unit No.:	PR2530
Manufactured Date:	TBA
Operational Weight:	39.65t
Base Machine Weight:	24.5t
Counter Weight/s:	1.3t

Mast:	4.2t
Rotary Head:	2.2t
Track Pad Width:	600mm
Crawler Width:	2500mm Retracted - 3600mm Extended
Main Winch Nominal Pullback:	14.000 daN
Auxiliary Winch Max Line Pull:	8.000 daN