

BAUER RG16T – SHEET



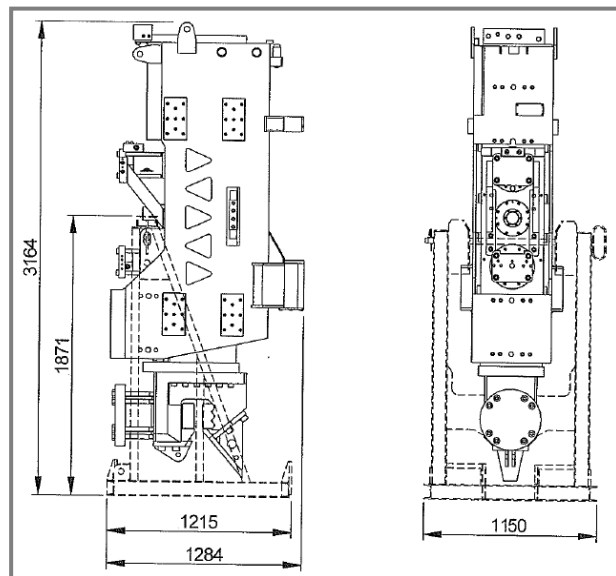
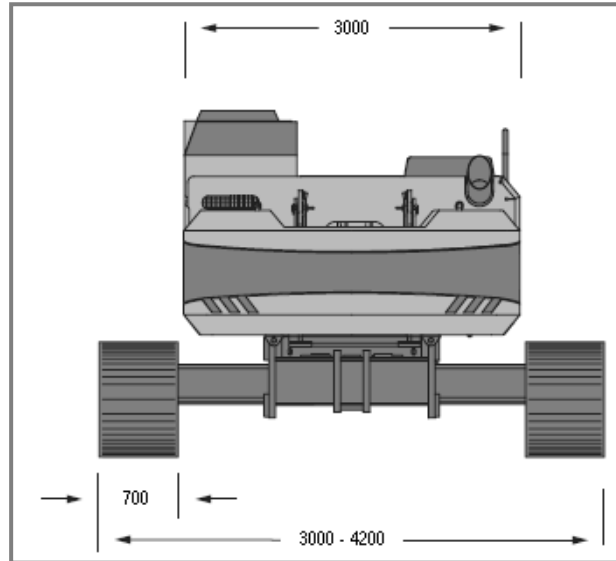
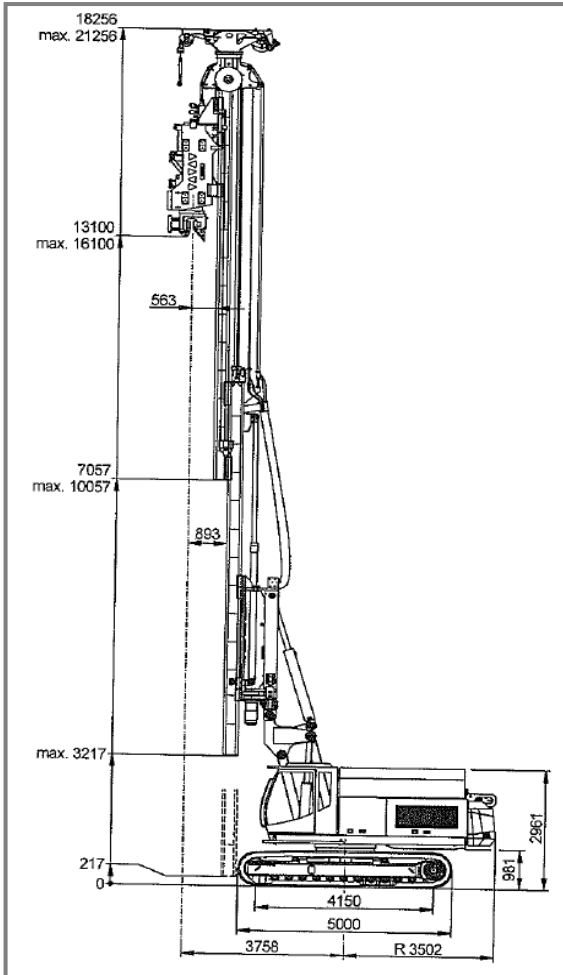
ADDITIONAL INFORMATION:

CFA

Displacement

Bored Piling

BAUER RG16T – SHEET



Equipment Type:	Bauer RG16T – BS60-R
Serial No.:	60.6.218
Unit No.:	048 / PR925
Manufactured Date:	2005
Operational Weight:	60.0t (incl MR 100V-02 and MRZ105)
Base Machine Weight:	46.0t (incl Auxiliary Winch)
Counter Weight/s:	6.0t
Telescopic Leader Length / Weight:	19280 / 7.0t

Cathead Weight:	2.0t
Vibrator Weight:	MR 100V-02 – 4.9t
Pile Weight:	Maximum – 3.0t
Track Pad Width:	700mm
Crawler Width:	3000mm retracted 4200mm extended
Sheet Length:	16.0 Max
Crowd Winch:	20mm/16mmØ, 331.40/212.10kN, Compacted outer strands / Pre-stressed, non-rotating