

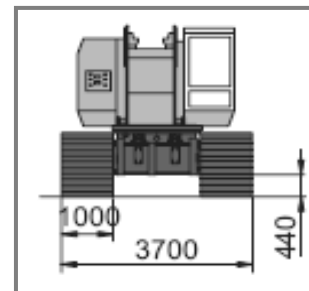
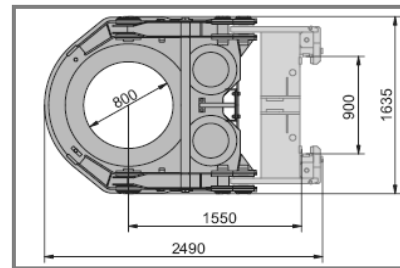
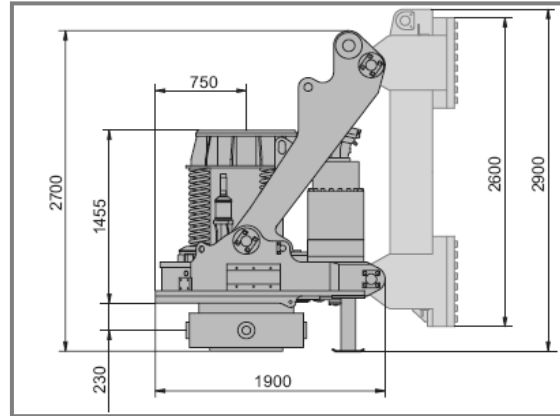
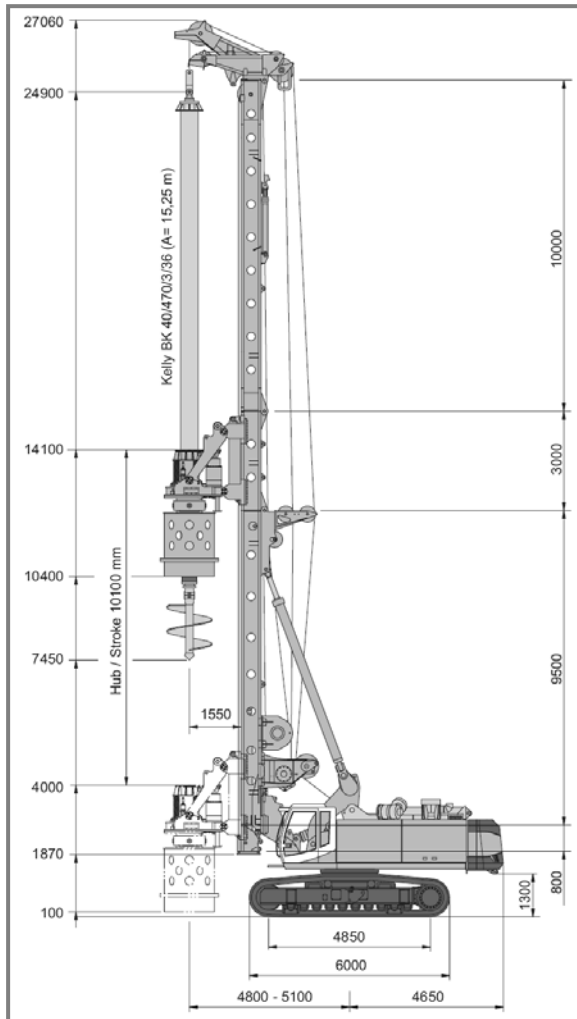
## BAUER BG40 – Bored



### ADDITIONAL INFORMATION:

Specialises in the larger diameter and deeper cased bored holes

## BAUER BG40 – Bored



Equipment Type:	BAUER BG40 BS100
Serial No.:	1723
Unit No.:	PR1723
Manufactured Date:	2008
Operational Weight:	140.0t
Base Machine Weight:	86.0t (including mast lower)
Counter Weight/s:	6.0t + 6.5t + 11.5t = 24.0t
Mast Weight:	7.0t - Upper
Cathead Weight:	Included in mast
Kelly Bar Weight:	8.75t (BK40/470/3/36)
Drive Head Weight:	Rotary – 8.2t (excl sledge)

Track Pad Width:	1000mm
Overall Width of Crawlers:	3700mm retracted 5000mm extended
Mast Inclination:	Back 15° / Forward 5° Lateral – Drilling mode 3° - Aux. Winch mode 5°
Crowd Winch:	28mmØ, 722kN, Compacted out strands, Rotation- resistant
Main Winch Max Line Pull:	30t
Auxiliary Winch Max Line Pull:	30t