

BAUER BG28 – CFA



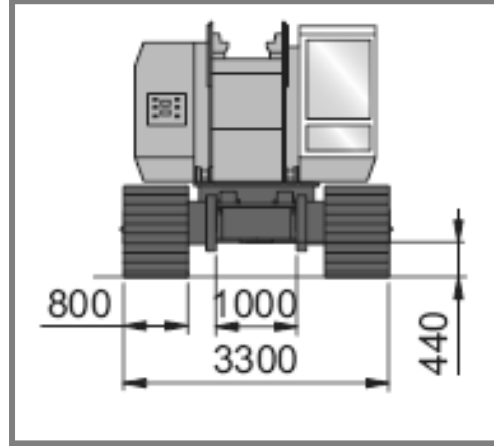
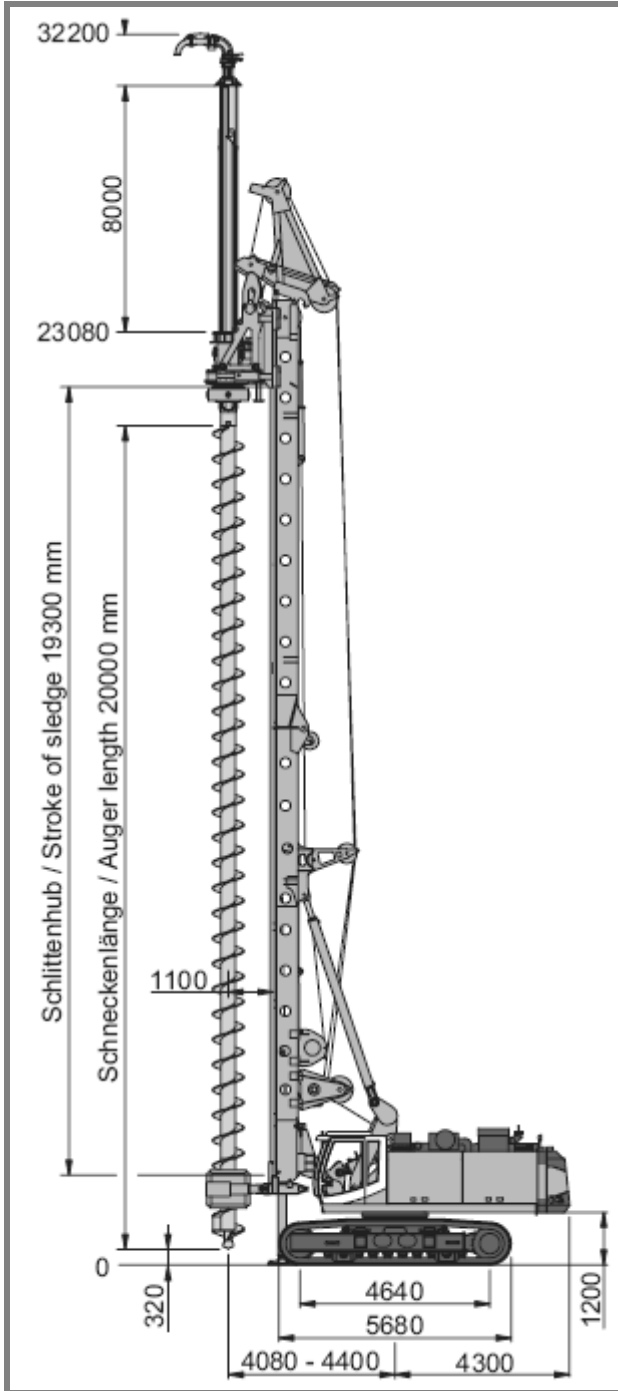
ADDITIONAL INFORMATION:

Bored Piling

Continuous Flight Auger Piling

Displacement Piling

BAUER BG28 - CFA



Machine Type:	Bauer BG28 - BS80B
Serial No.:	BS80.6.619
Unit No.:	PR867
Manufactured Date:	2005
Operational Weight:	120.0t
Base Machine Weight:	60.0t
Counter Weight/s:	10.5t + 5.3t = 15.8t
Mast Weight / Height:	Upper 4.7t / Lower 12.5t (26.5m)
Snorkel:	8.0t
CFA Weight / Height:	8.0t / 20.0m
Drive Head Weight:	5.1t
Track Pad Width:	800mm
Crawler Width:	3300mm retracted 4500mm extended
Line Pull:	250KN / 317KN
Crowd Winch:	24mmØ, 531KN compacted out strands, Rotation- resistant
Mast Inclination:	15°back / 5°fwd 2° Drilling / 5° Auxiliary