

BAUER BG25 - Bored



ADDITIONAL INFORMATION:

Bored Piling

---

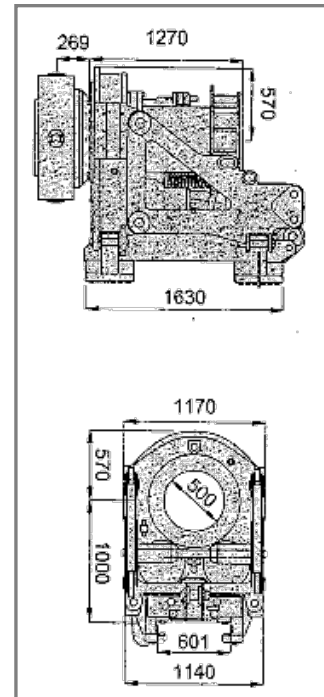
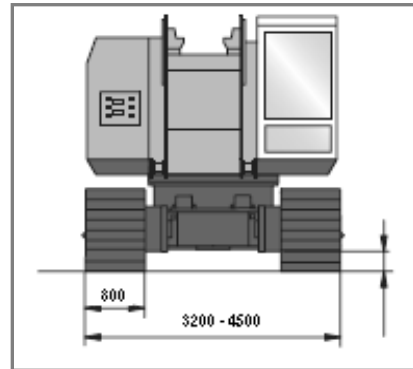
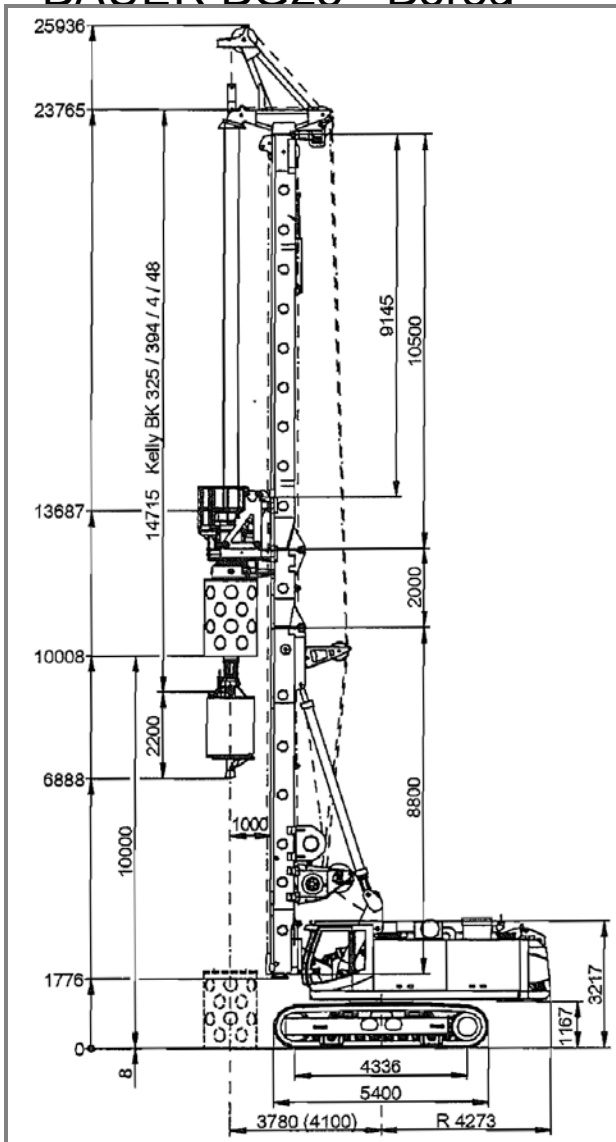
CFA Piling

---

Displacement Piling

---

## BAUER BG25 - Bored



Machine Type:	Bauer BG25 – BS80B
Serial No.:	BS80.6.542
Unit No.:	652 / PR720
Manufactured Date:	2003
Operational Weight:	96.0t (BK25/394/3/30 – 5.53t)
Base Machine Weight:	59.2T (excl. Counterweights)
Counter Weight/s:	10.5t + 5.3t = 15.8t
Mast Weight:	5.5t

Drive Head Weight:	5.0t
Kelly Bar Weight:	BK25/394/4/68 – 11.85t (largest possible)
Track Pad Width:	800mm
Crawler Width:	3200mm Retracted – 4500mm Extended
Crowd Winch:	260 kN / 24mm□ / Comp[acted out strands, Rotation resistant
Main Winch Max Line Pull:	200 kN / 28mm□
Auxiliary Winch Max Line Pull:	80 kN / 20mm□