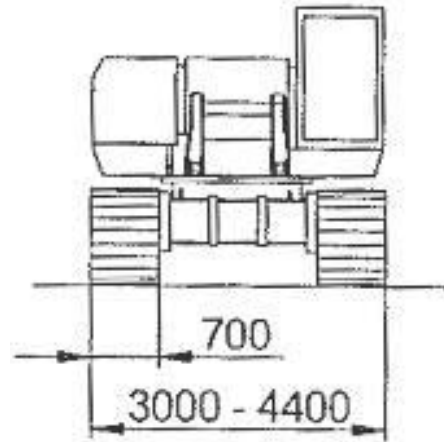
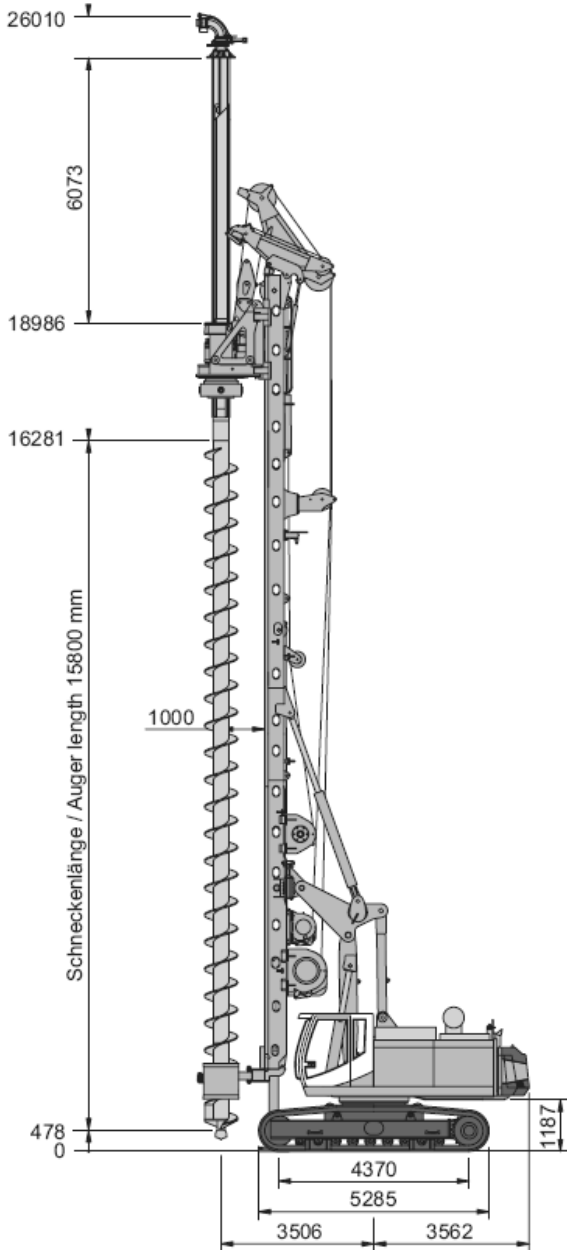


Bauer BG24H – CFA with Snorkel



ADDITIONAL INFORMATION:

Can be used for CFA, Displacement and Bored Piling



Machine Type:	Bauer BG24H
Serial No.:	BS70C.6.804
Unit No.:	704 / PR704
Manufactured Date:	2004
Operational Weight:	77.5t (Incl. CFA Auger)
Base Machine Weight:	56.2t
Counter Weight/s:	8.0t + 2.0t = 10.0t
Mast Weight:	5.5t
Mast Inclination:	15 / 5 / +8 Degrees Back / Fwd / lateral
Auger Weight:	5.0t
Snorkel Weight:	3.0t
Line Pull:	200KN
Track Pad Width:	700mm
Crawler Width:	2.3 retracted – 3.7 extended
Ground Pressure:	473KN
Overall Height:	21.9m
Crowd Winch:	24mmØ, 501KN external strands, post- sealed