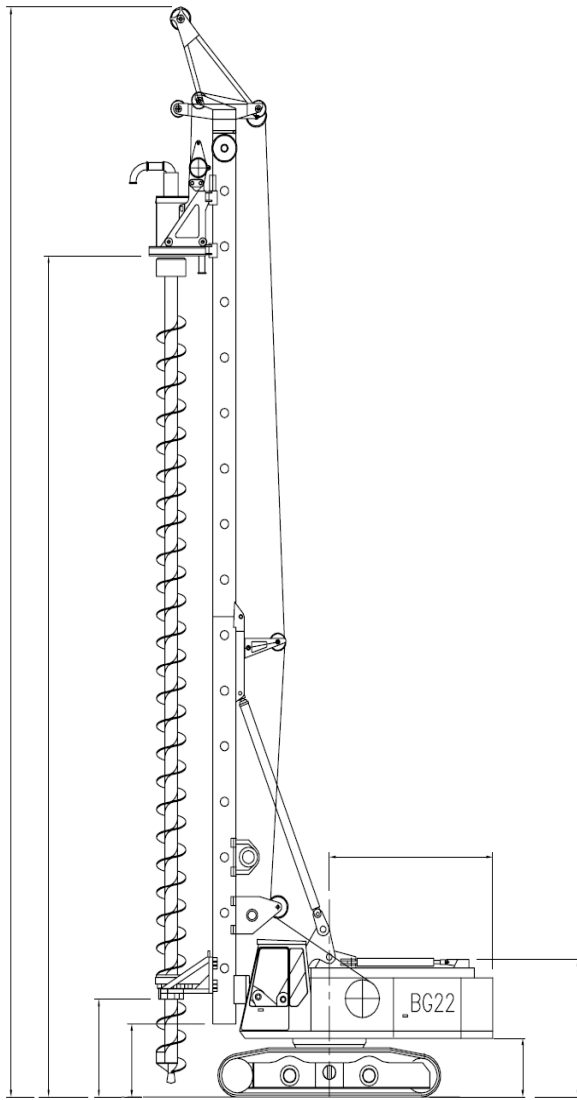
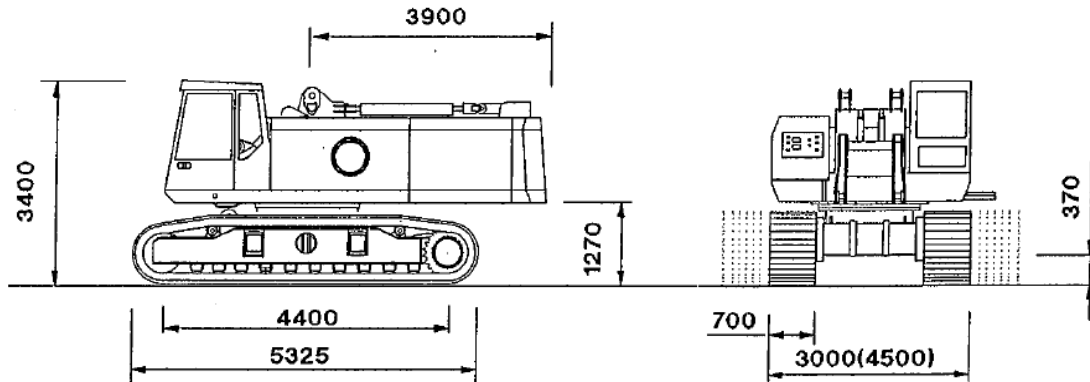


Bauer BG22 - CFA



ADDITIONAL INFORMATION:

Can also be used for Bored Piling



Machine Type:	Bauer BG28
Serial No.:	BS70.6.321
Unit No.:	034 / PR490
Manufactured Date:	1995
Operational Weight:	80t
Base Machine Weight:	33.0t
Counter Weight/s:	13.0t
Mast Weight:	5.2t
Snorkel:	3.5t
Auger Weight :	1.2t per section/12.0t
Drive Head Weight:	5.4t
Track Pad Width:	700mm
Crawler Width:	3000mm retracted 4500mm extended
Crowd Winch:	24mmØ, 531KN compacted out strands, Rotation- resistant