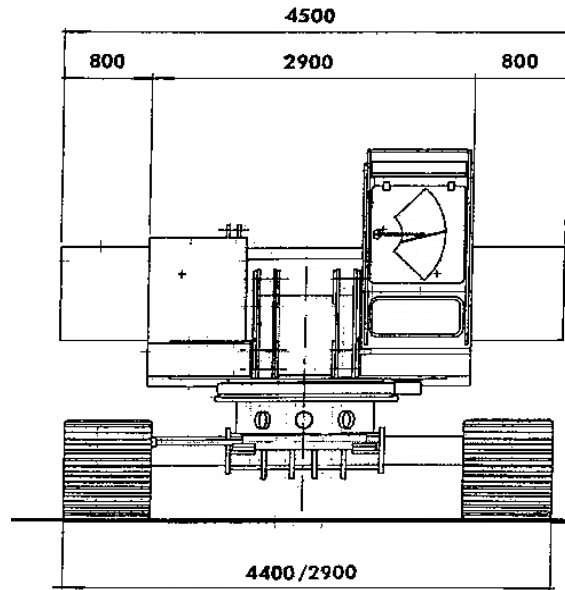
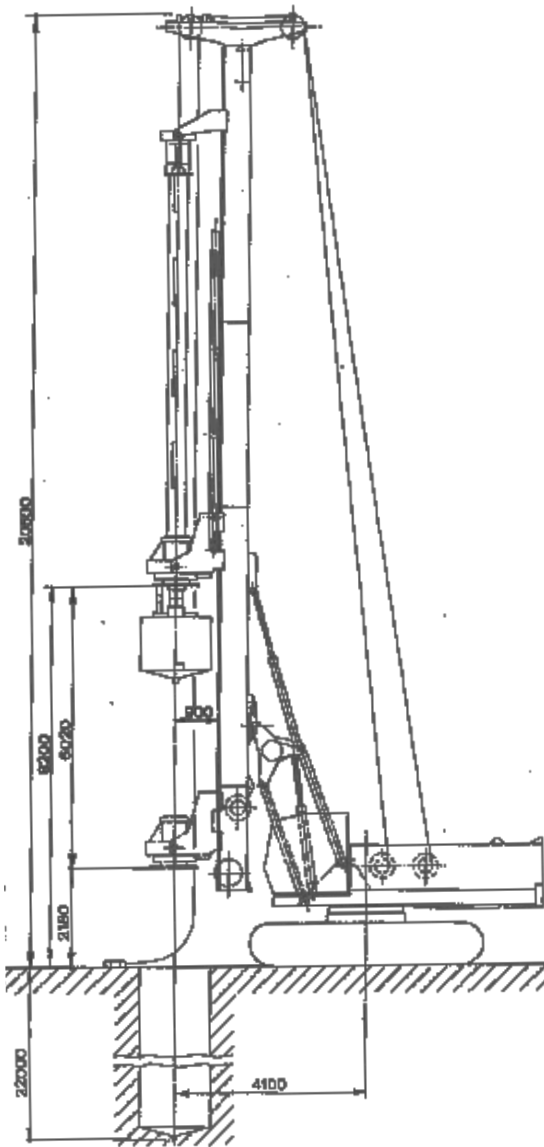


Casagrande Piling Rig C30



ADDITIONAL INFORMATION:

Can be used for CFA, Displacement and Bored Piling



Machine Type:	Casagrande C30
Serial No.:	3E.110.188 – 1034792
Unit No.:	PR180
Manufactured Date:	1985
Operational Weight:	85.0t
Base Machine Weight:	34.3t

Counter Weight/s:	10.0t + 10.0t = 20.0t
Mast Weight:	20.36m – 10.6t
Drill Tools:	2.0t – 6.0t
Kelly Bar Weight:	4x12m – 9.0t
Drive Head Weight:	6.0t
Track Pad Width:	800mm
Crawler Width:	2900mm retracted 4400mm extended