

## WICK FRAME LEADERS



### ADDITIONAL INFORMATION:

Leaders used for wick drains

---

Leaders able to drive wick membrane into ground until refusal are met

---

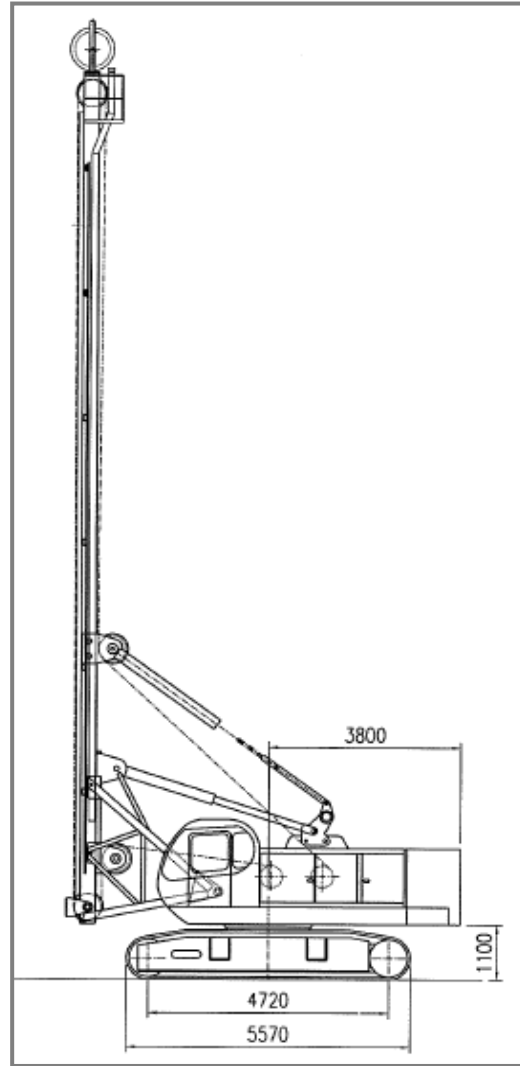
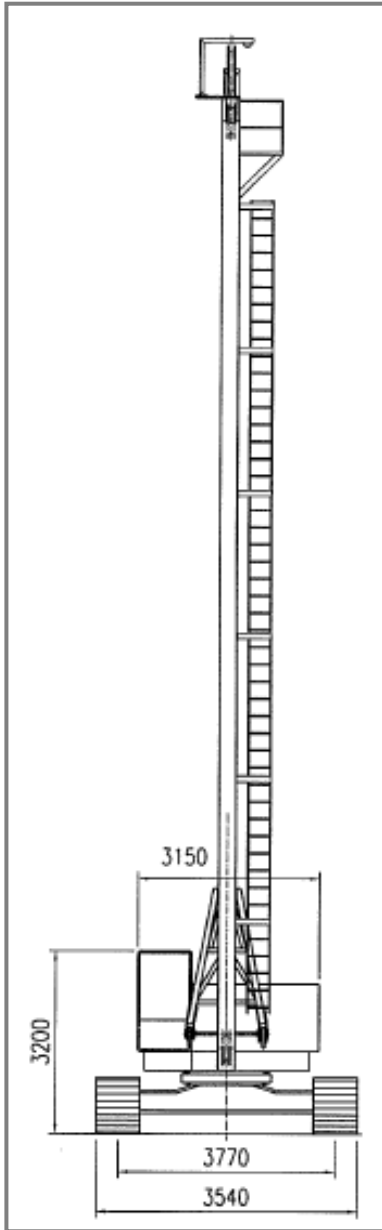
Can be driven to a maximum depth of 17.4m using 21m of Leader or until refusal is reached

---

Wick leaders can be fitted to the Kobelco BM600

---

## WICK FRAME LEADERS



Equipment Type:	Wick Leaders
Height:	18m or 21m
Weight of Leaders:	18m – 5.0t 21m – 5.8t
Max Wick Depth:	18m leader – 14.4m wick depth 21m leader – 17.4 wick depth
Boom Weight:	8 tonne

Track Pad Width:	760
Crawler Width:	5570
Main Winch Max Line Pull:	6 tonne
Auxiliary Winch Max Line Pull:	6 tonne