

## NISSHA M70D LEADERS



### ADDITIONAL INFORMATION:

Used for driven piling of Steel tubes, Octagonal Precast, Square Precast and UB/UC sections

---

Max. single pile length that can be driven is 28m

---

Pile sizes able to be driven range from 450 – 900mm diameter

---

Nissha leaders are able to be used with all hammers available from Piling Contractors

---

Fitted to the Kobelco BM800

---

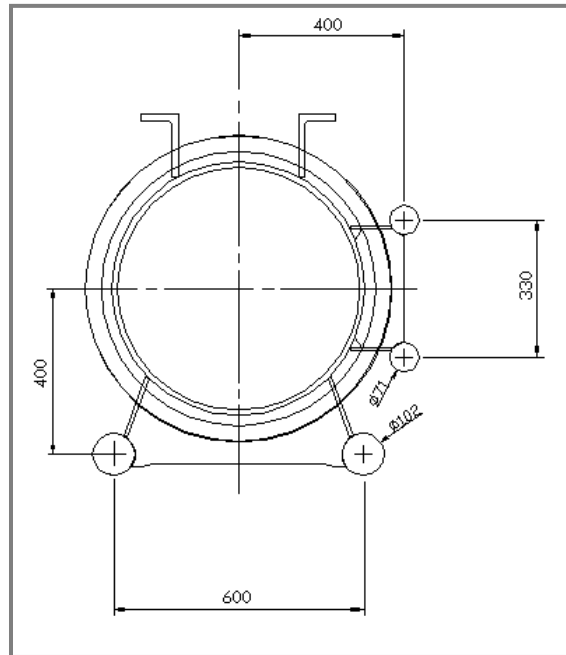
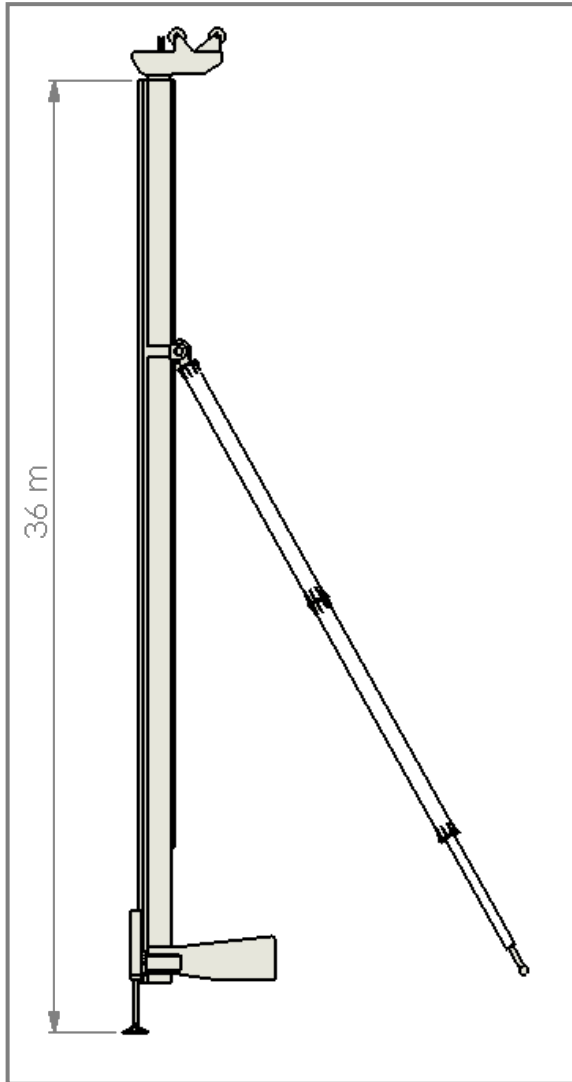
These leaders can be used in conjunction with the whole range of hammers (generally runs 10 & 12t hammers)

---

Max length & diameter of pile that can be driven in using the BM800 & Nissha Leaders is: 28m with a 900mm diameter

---

# NISSHA M70D LEADERS



Height:	12m - 36m
Max weight of leader:	28t
Compatible Hammer:	Anything up to 16t