

Crane Mount Drill CH125



WITH CRADLE EXTENSION FITTED

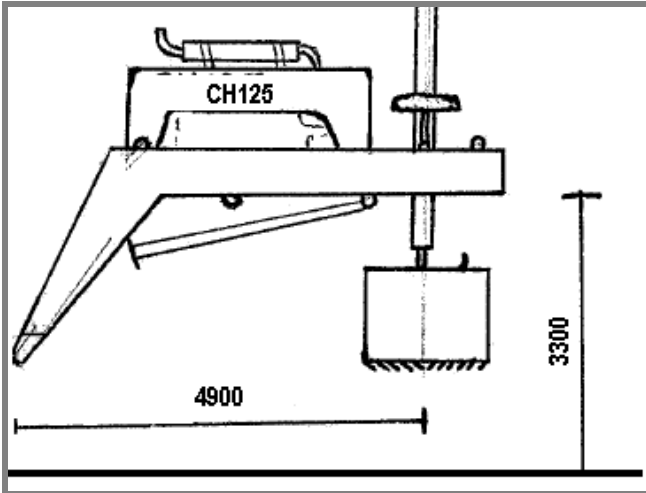
ADDITIONAL INFORMATION:

Bored Piling

The CH125 can be fitted to the Kobelco BM700, Kobelco BM600, Hitachi KH180 and Kobelco BM800

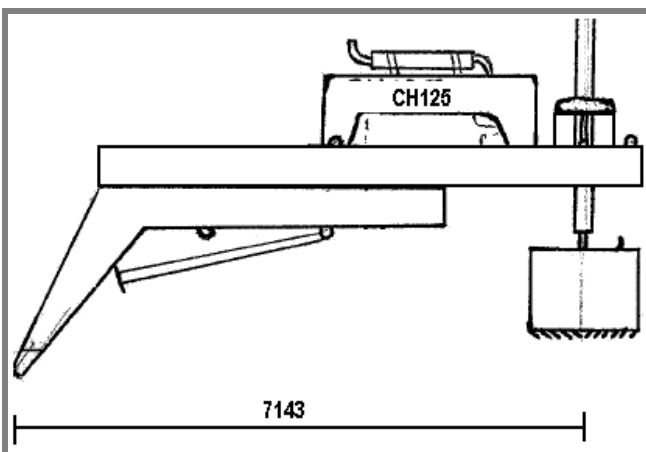
with cradle extension

Crane Mount Drill CH125



Equipment Type:	Calweld 125CH Crane Mount Drill
Serial No.:	ESN2107906A
Unit No.:	CM125
Basic Unit Weight:	9.5t
Crane Requirements:	50t /min
Rotary Table Torque:	19.32tm Max Torque
Power Unit:	Cummins 6 BT.5.9P 132kw (177hp)
Hydraulic Pump:	Rexroth A10V0140
Hydraulic Motor:	Rexroth A6VM160
Maximum Hole Ø:	3m
Maximum Depth of Hole:	42m

**Cradle extension is only used
with the Kobelco BM800**



Features:

Hydraulic Crowd, Hydraulic Sliding Base for Easy Setup, Hydraulic Levelling, Service Platforms, Service Ladder