

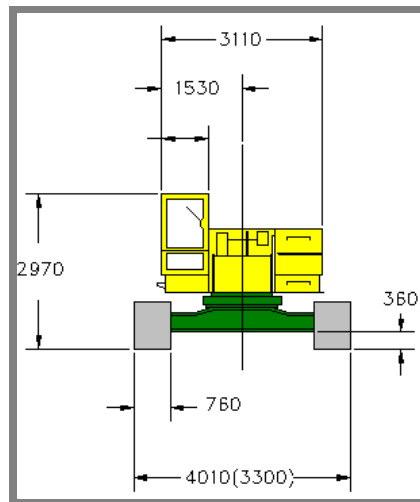
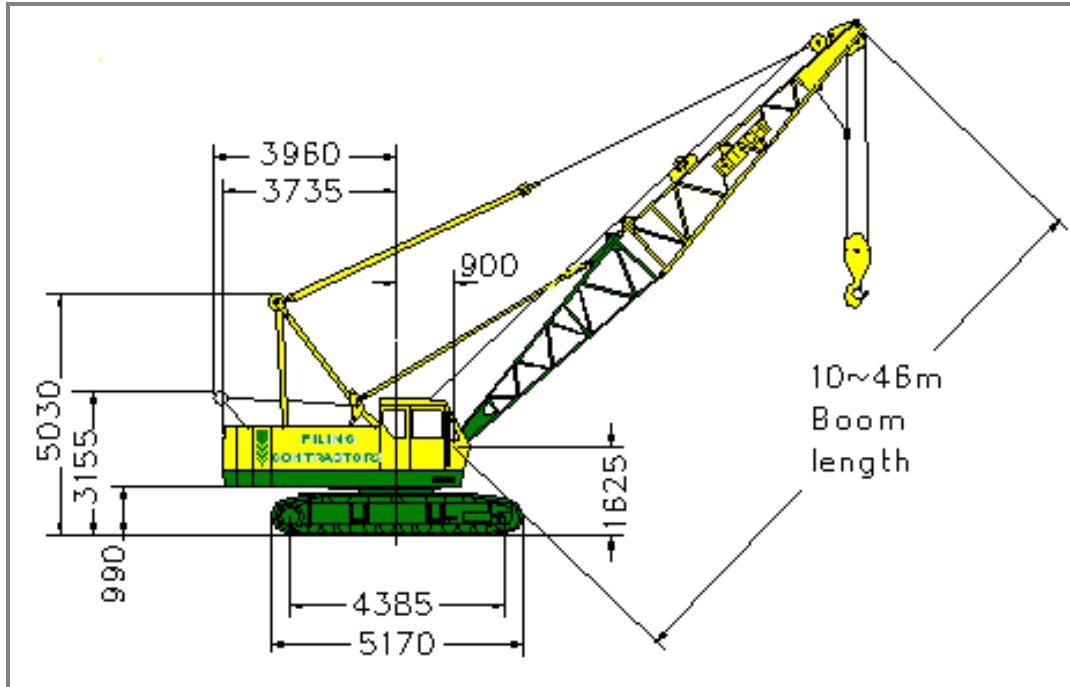
Hitachi KH150 Crane



ADDITIONAL INFORMATION:

Service Crane

Hitachi KH150 Crane



Machine Type:	Hitachi KH150-2	Boom Weight:	3.5t
Serial No.:	1920659	Track Pad Width:	760mm
Unit No.:	CC138	Crawler Width:	3300 Retracted – 4010 Extended
Manufactured Date:	1982	Main Winch Max Line Pull:	5.0t
Operational Weight:	38.4t	Auxiliary Winch Max Line Pull:	5.0t
Base Machine Weight:	23.4t		
Counter Weight/s:	11.5t		