

KOBELCO BM800 CRANE



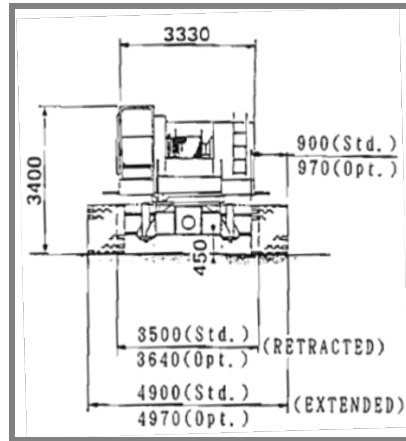
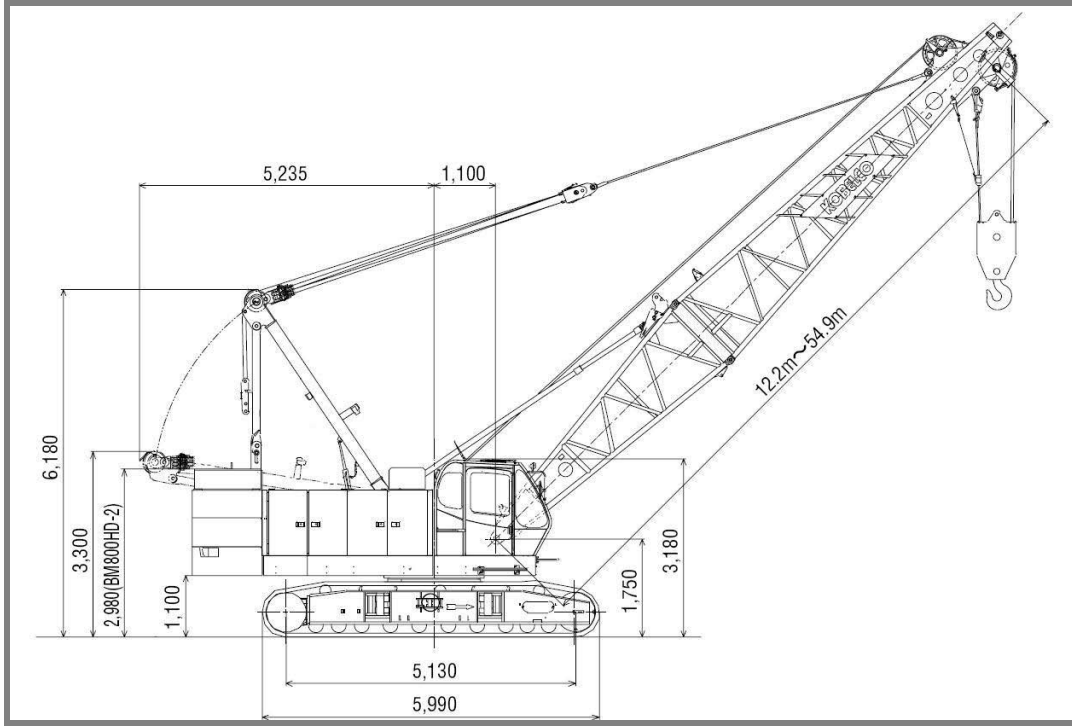
ADDITIONAL INFORMATION:

[Grab Attachment for Diaphragm Walls](#)

[Crane Attachments for Bored Piling](#)

[Nissha Leaders for Driven Piling](#)

KOBELCO BM800 CRANE



Machine Type:	Kobelco BM800 Crane
Serial No.:	HF00037 / P0024122
Unit No.:	CC850
Manufactured Date:	1999
Operational Weight:	86.0t
Base Machine Weight:	59t (excl c/weight & boom base)
Counter Weight/s:	10.0t + 9.8t + 6.9t = 26.7t

Boom Weight:	4.56t (Max Config)
Track Pad Width:	970mm (widest option)
Crawler Width:	3640mm retracted 4970mm extended
Main Winch Max Line Pull:	28mm / 12.0t
Auxiliary Winch Max Line Pull:	28mm / 12.0t