

LIEBHERR HS885HD CRANE

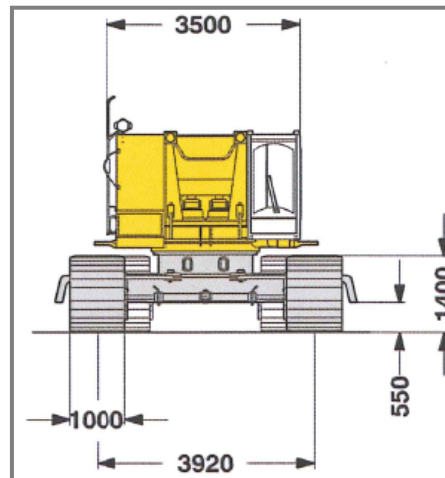
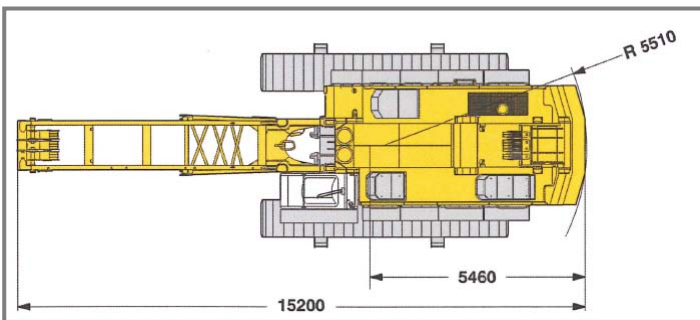
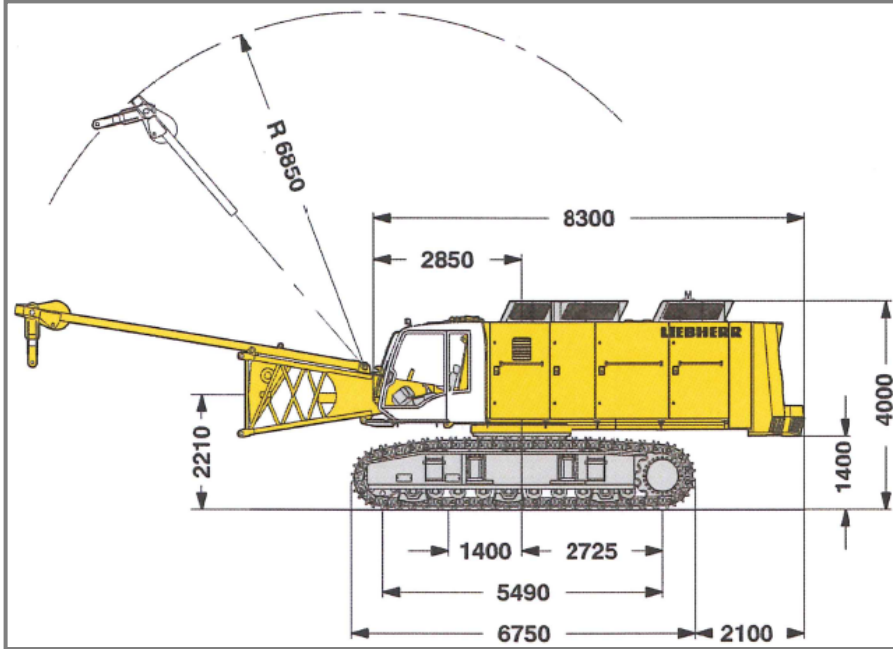


ADDITIONAL INFORMATION:

Used with Grab attachment for Diaphragm Walls

10t-20t weight for Dynamic Compaction

LIEBHERR HS885HD CRANE



Equipment Type:	Liebherr HS885HD
Serial No.:	187387
Unit No.:	CC1400
Manufactured Date:	2008
Operational Weight:	114.205t (incl Tracks, 2 main winches, 100ft boom and 32.5t counterweight)
Base Machine Weight:	70.2t (incl Tracks, engine, 2 winches, Boom

Counter Weight/s:	19.6t + 4.5t + 2.6t + 3.2t = 32.5t
Boom Weight:	12.585t
Track Pad Width:	1000mm
Crawler Width:	2920mm retracted 3920mm extended
Main Winch Max Line Pull:	30.0t
Auxiliary Winch Max Line Pull:	30.0t