

LIEBHERR HS883HD CRANE

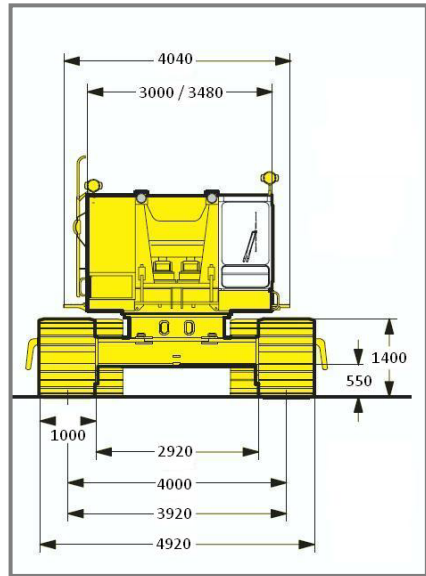
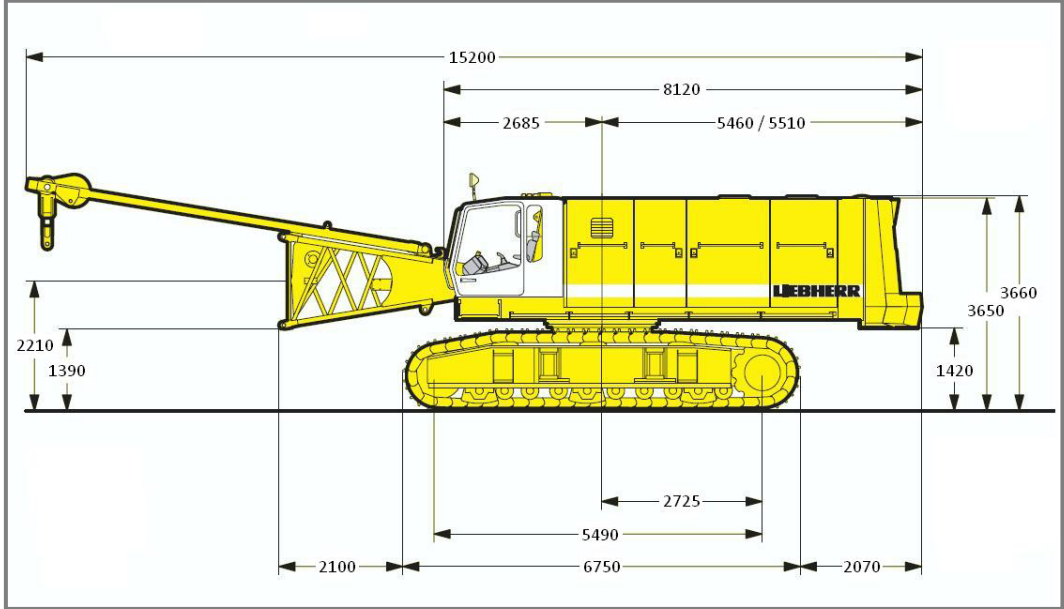


ADDITIONAL INFORMATION:

Used with Messmann Leaders for Driven Piling

Used with Grab attachment for Diaphragm Walls

LIEBHERR HS883HD CRANE



Equipment Type:	Liebherr HS883HD (120t) Crane	Counter Weight/s:	19.6t + 2.6t + 2.6t = 24.8t
Serial No.:	187264	Boom Weight:	8.0t (100ft)
Unit No.:	CC920	Track Pad Width:	1000mm
Manufactured Date:	2000	Crawler Width:	4000mm retracted 4720mm extended
Operational Weight:	114.0t (100ft Jib)	Main Winch Max Line Pull:	250kN (Nominal load)
Base Machine Weight:	68.5t (incl tracks, 2 main winches)	Auxiliary Winch Max Line Pull:	120kN (Nominal load)