

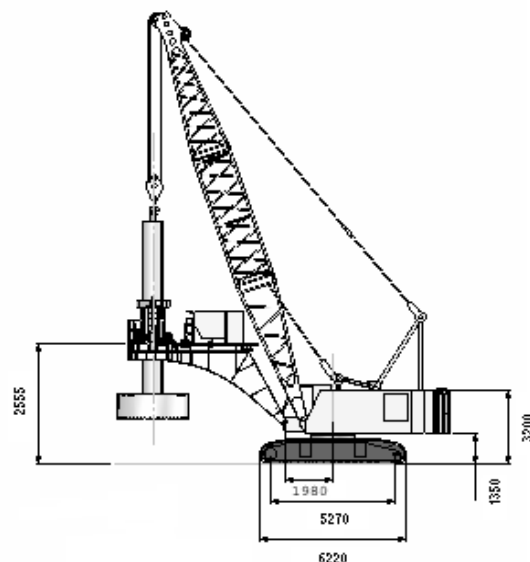
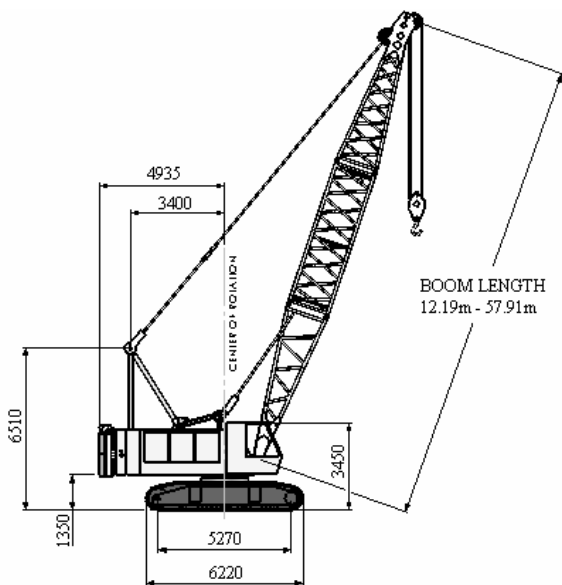
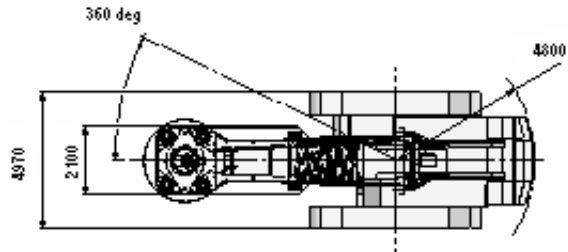
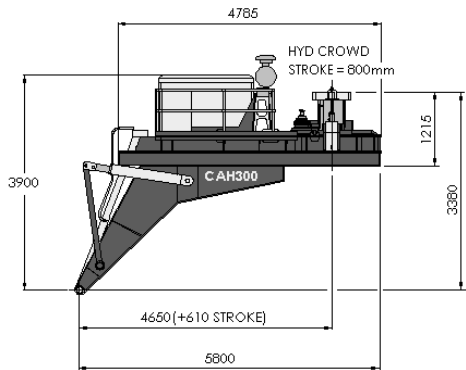
KOBELCO BM800 + CAH300



PILING METHOD/S:

Bored Piling

KOBELCO BM800 + CAH300



Equipment Type:	Kobelco BM800 + CAH300
Serial No.:	HF00037 / P0024122
Unit No.:	CC850
Manufactured Date:	1999
Operational Weight:	110t
Base Machine Weight:	51.5t
Counter Weight/s:	9.8t + 10.0t + 6.9t = 26.7t
Boom Weight:	5.0t

CAH300 Weight:	11.5t
Kelly Bar Weight:	13.0t
Drill Tools:	2.0t – 4.0t Empty / 6.0t – 8.0t Full
Track Pad Width:	970mm
Crawler Width:	3640mm retracted 4970mm extended
Line Pull:	123KN – 12.5t
Main Winch Max Line Pull:	12.5t
Auxiliary Winch Max Line Pull:	12.5t