

## KOBELCO BM800 + GRAB



### PILING METHOD/S:

Grab attachment for Diaphragm Walls

---

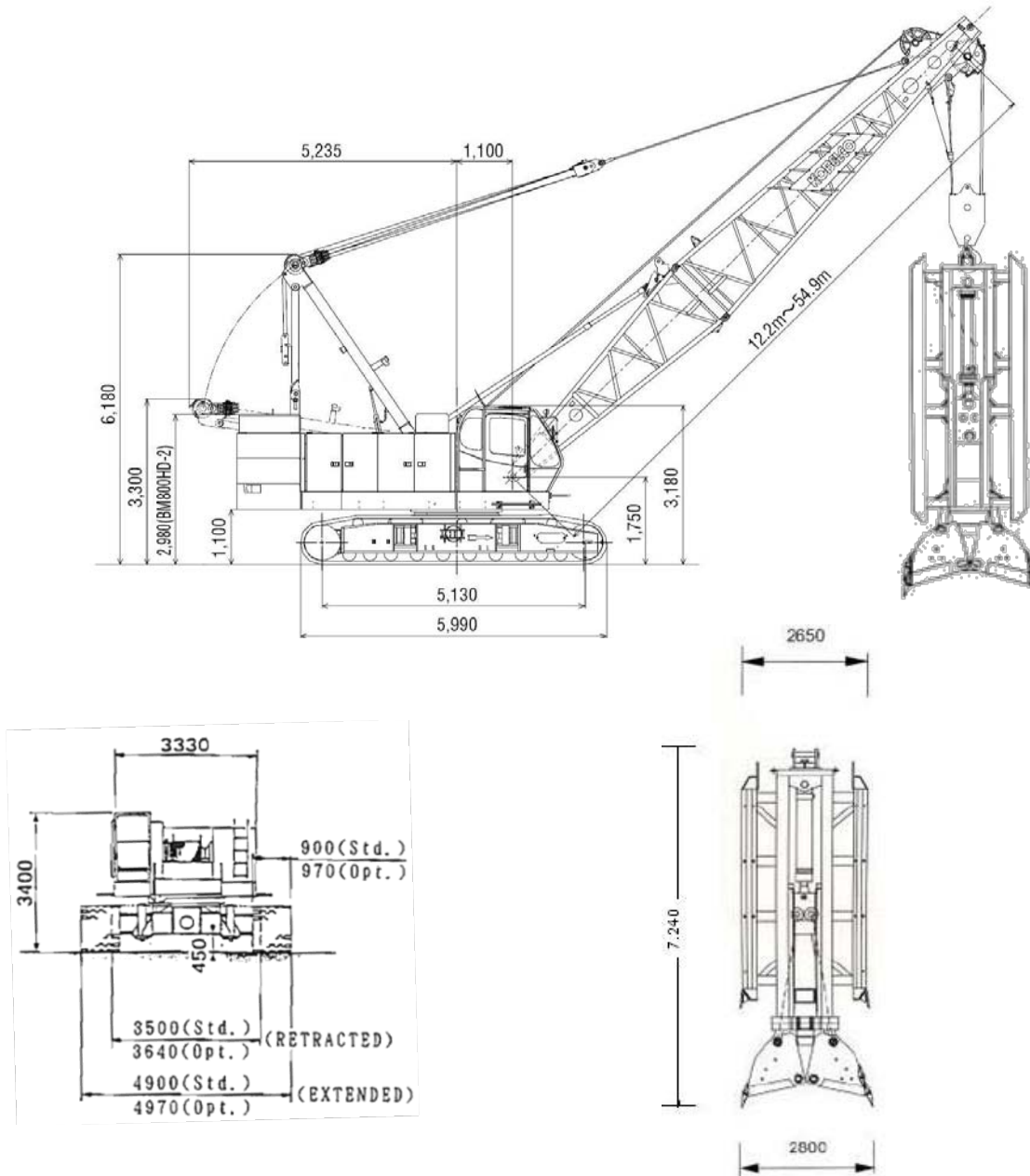
Crane attachments for Bored Piling

---

Nissha Leaders for Driven Piling

---

# KOBELCO BM800 + GRAB



Equipment Type:	Kobelco BM800 Crane
Serial No.:	HF00037 / P0024122
Unit No.:	CC850
Manufactured Date:	1999
Operational Weight:	75t
Base Machine Weight:	51.5t (excl c/weight & boom base)
Counter Weight/s:	10.0t + 9.8t + 6.9t = 26.7t

Boom Weight:	4.56t (Max config)
Grab Weight:	18.4t
Track Pad Width:	970mm (widest option)
Crawler Width:	3640mm retracted 4970mm extended
Main Winch Max Line Pull:	28mm / 12.0t
Auxiliary Winch Max Line Pull:	28mm / 12.0t