

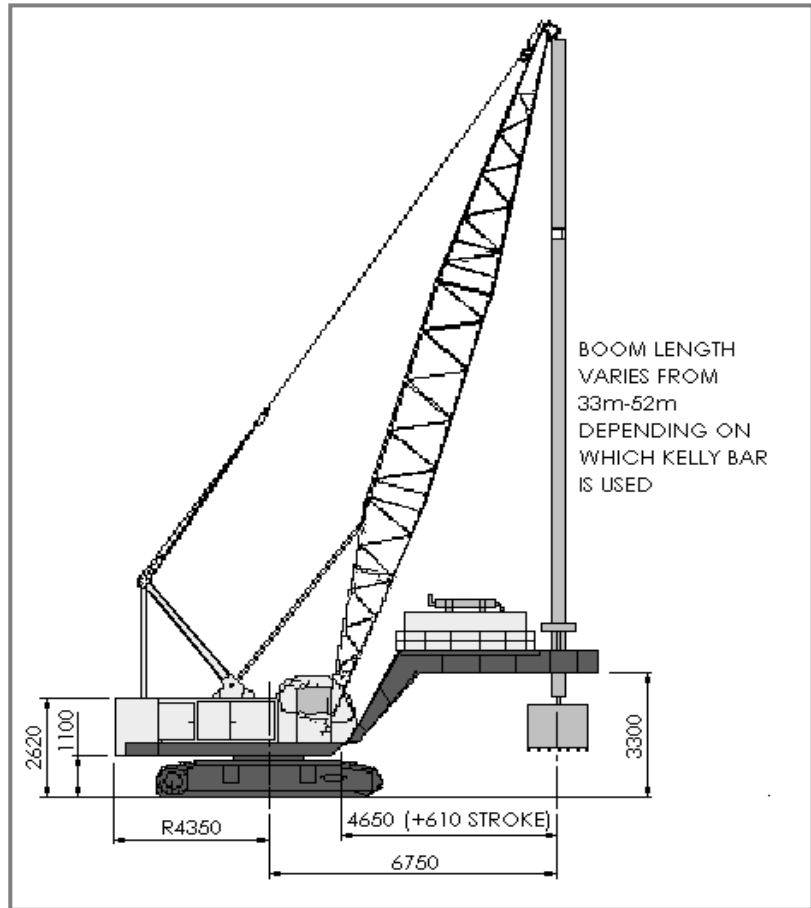
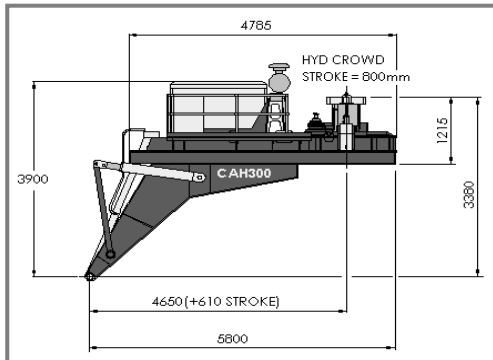
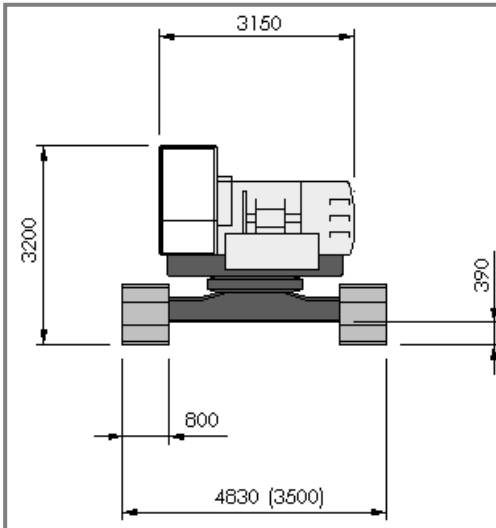
KOBELCO BM700 + CAH300



ADDITIONAL INFORMATION:

Bored Piling

KOBELCO BM700 + CAH300



Equipment Type:	BM700 + CAH300
Serial No.:	GG1267 / W0098116
Unit No.:	CC402
Manufactured Date:	1997
Operational Weight:	91.6t
Base Machine Weight:	40.0t
Counter Weight/s:	10.7t + 9.85t = 20.55t
Boom Weight:	5.0t4.56t (Max config)
Kelly Bar Weight::	CAH – 3 x 25 Section – 13.0t (Max config)

Drill Tools:	2.0t empty – 6.0t full
CAH300 Weight:	11.5t
Track Pad Width:	800mm
Crawler Width:	3500mm retracted 4830mm extended
Main Winch Max Line Pull:	22mm / 6.5t
Auxiliary Winch Max Line Pull:	2mm / 6.5t
Line Pull:	65kN / 6.6t