

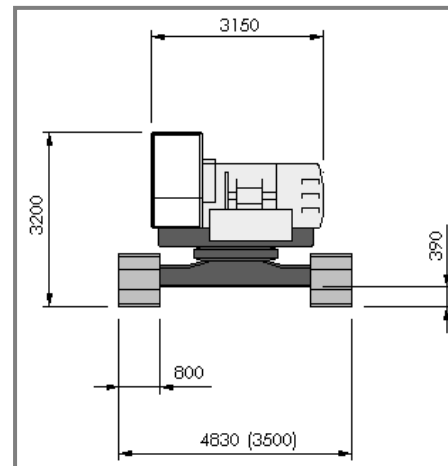
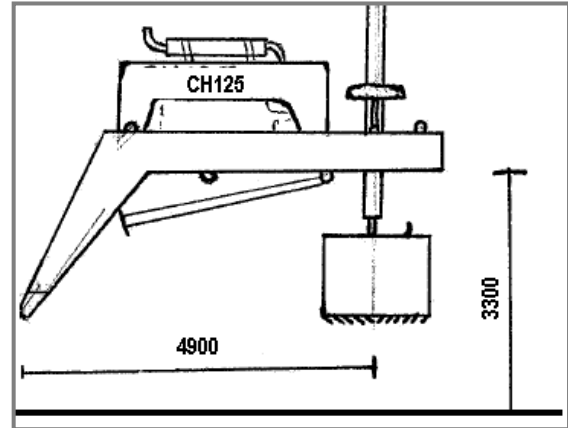
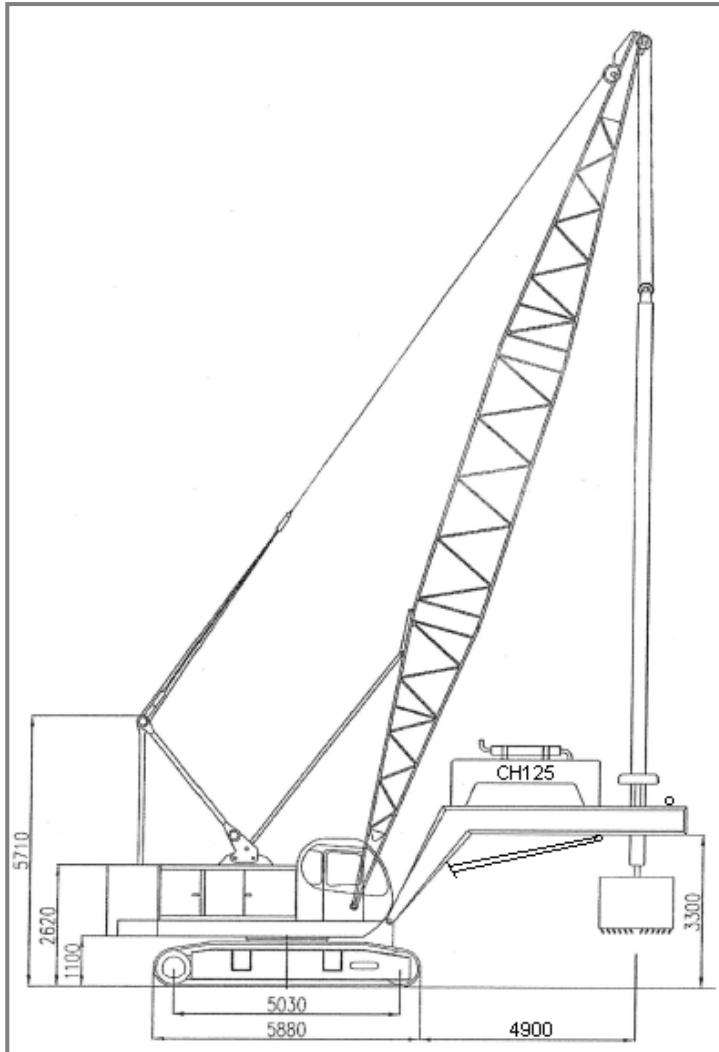
KOBELCO BM700 + CH125 – CRANE MOUNT



ADDITIONAL INFORMATION:

Bored Piles

KOBELCO BM700 CRANE



Equipment Type:	Kobelco BM700 + CH125
Serial No.:	GG01267 / W0098116
Unit No.:	CC402
Manufactured Date:	October 1997
Operational Weight:	89.6t
Base Machine Weight:	40.0t
Counter Weight/s:	10.7t + 9.85t = 20.55t
Boom Weight:	4.56t (Max config)
Kelly Bar Weight:	13.0t

CH125 Weight:	9.5t
Drill Tools	2.0t empty – 6.0t full
Track Pad Width:	800mm
Crawler Width:	3500mm retracted 4830mm extended
Main Winch Max Line Pull:	22mm / 6.5t
Auxiliary Winch Max Line Pull:	22mm / 6.5t
Line Pull:	65KN / 6.6t