

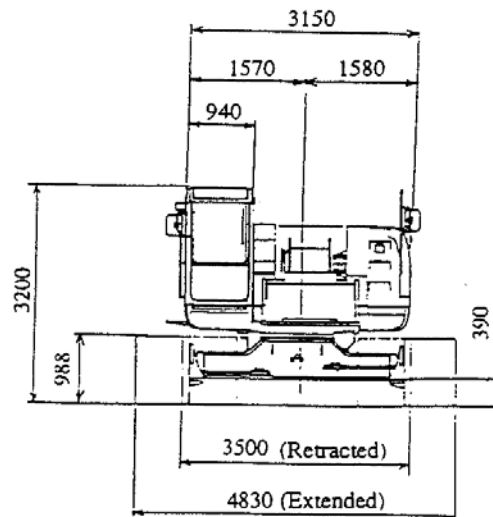
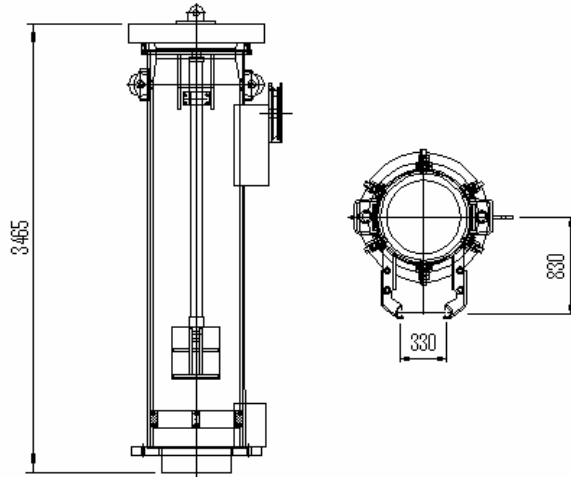
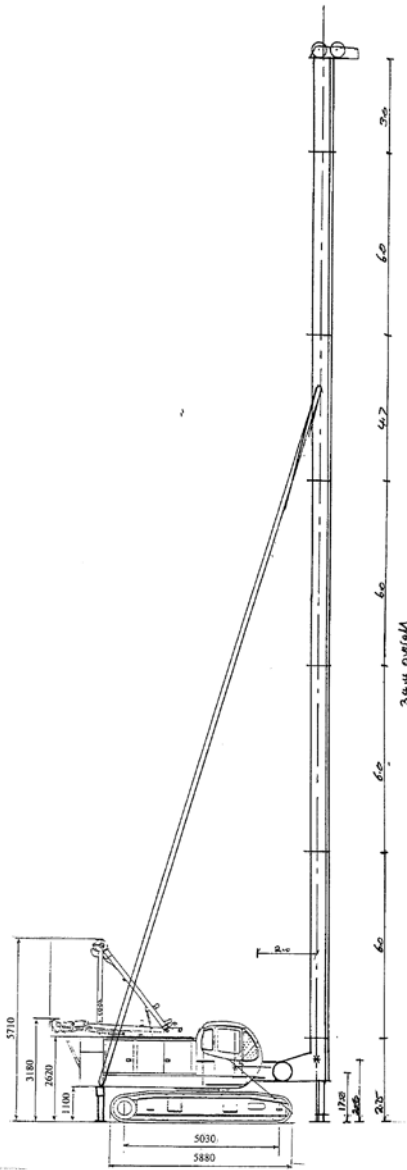
KOBELCO BM700 + KOBE 36M + PCQ10



PILING METHOD/S:

Driven Piling

## KOBELCO BM700 + KOBE 36M + PCQ10



Equipment Type:	Kobelco BM700 + Kobe Leader + PCQ10 Hammer
Serial No.:	GG1267 / W0098116
Unit No.:	CC402
Manufactured Date:	1997
Operational Weight:	109.75t
Base Machine Weight:	40.0t (excl c/weight & attachments)
Counter Weight/s:	10.7t + 9.85t = 20.55t

Power Pack Weight:	6.0t (incl fuel & oil)
Leader Weight:	Kobe 36m – 28.2t
Hammer Weight:	15.0t
Track Pad Width:	800mm
Crawler Width:	3500mm retracted 4830mm extended
Line Pull:	
Main Winch Max Line Pull:	22mm / 6.t
Auxiliary Winch Max Line Pull:	22mm / 6.5t