

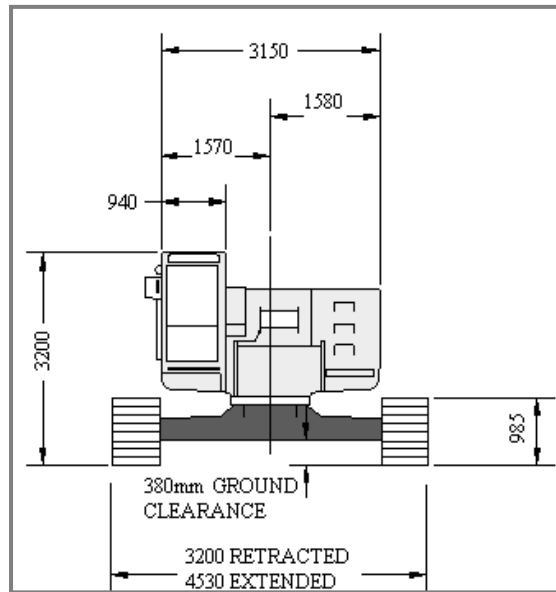
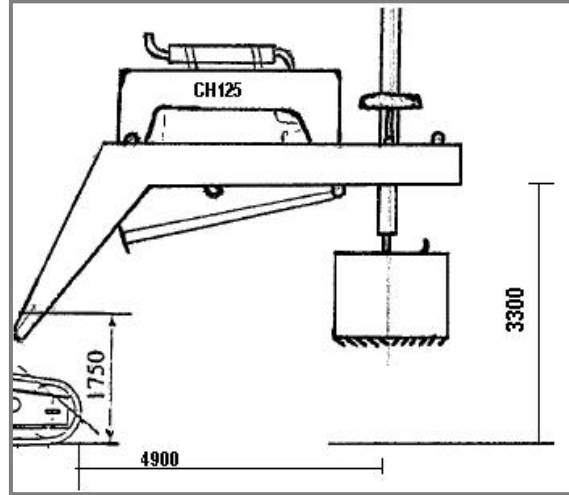
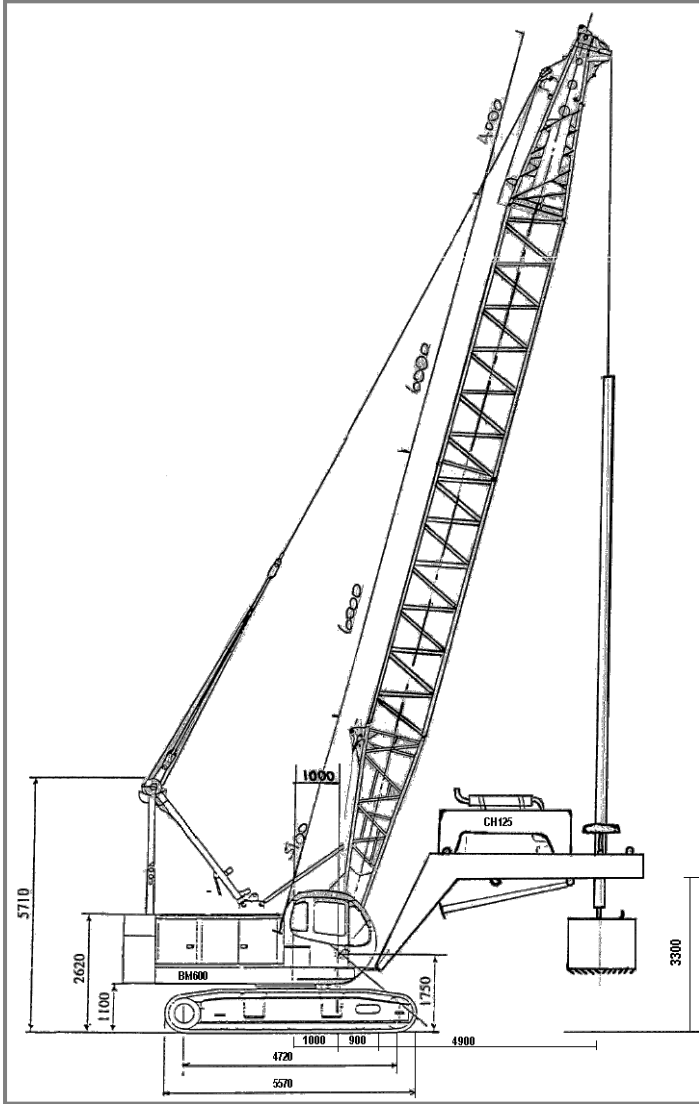
KOBELCO BM600 + CH125 CRANE MOUNT



ADDITIONAL INFORMATION:

Bored Piling

KOBELCO BM600 + CH125 CRANE MOUNT



Equipment Type:	Kobelco BM600 + CH125 Crane Mount Drill
Serial No.:	GB01237 / P0019835
Unit No.:	CC237
Manufactured Date:	1996
Operational Weight:	75.0t
Base Machine Weight:	35.8t (excl c/weight & attachment)
Counter Weight/s:	9.9t + 5.0t = 14.9t
Boom Weight:	19m – 3.0t
Cat Head (jib) Weight:	1.3t

CH125 Weight:	9.5t
Kelly Bar Weight:	3 x 12 (telescopic) – 4.0t
Drill Tools:	1.0t to 2.0t empty 3.0t to 4.0t full
Track Pad Width:	760mm
Crawler Width:	3200mm retracted 4530mm extended
Main Winch Max Line Pull:	22mm / 6.5t
Auxiliary Winch Max Line Pull:	22mm / 6.5t
Drum Line Pull:	1.96 kN