

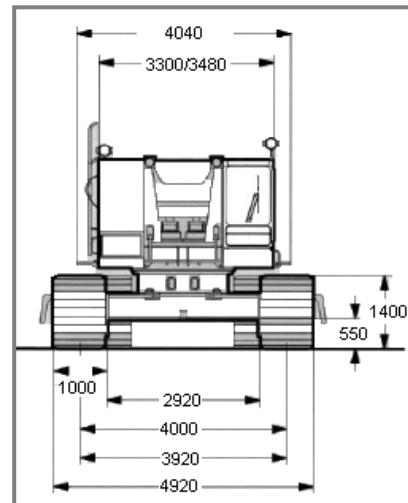
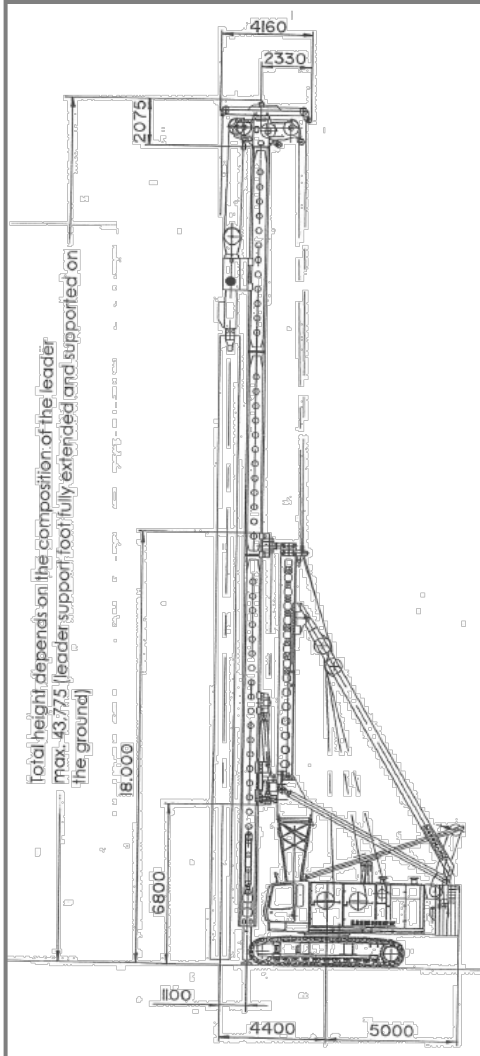
LIEBHERR HS883HD + MESSMAN + JUNTAN HK 9



ADDITIONAL INFORMATION:

Driven Piling

LIEBHERR HS883HD + MESSMAN + JUNTAN HK 9



Equipment Type:	Liebherr HS883HD (120t) + Messmann Leader + Nissha NH100 Hammer
Serial No.:	187264 / P0026635
Unit No.:	CC920
Manufactured Date:	2000
Operational Weight:	175.2t
Base Machine Weight:	70.2t (excl c/weight, boom foot & A-frame)
Counter Weight/s:	19.6t + 4.5t + 2.6t + 2.6t + 3.2t = 32.5t

Power Pack Weight:	6.5t
Leader Weight:	Messman – 36.3t
Cathead Weight:	(incl Pulley Head) – 3.6t
Hammer Weight:	Junttan HK 9 + Helmet 26.0t
Pile Weight:	
Track Pad Width:	1000mm
Crawler Width:	4000mm retracted 4920mm extended
Line Pull:	123KN – 12.5t
Main Winch Max Line Pull:	250kn
Auxiliary Winch Max Line Pull:	250kn